



APPROVAL SHEET  
FOR  
MAGNETIC BUZZER

深圳市銳創達電子有限公司

TAT ELECTRONICS CO. LTD.

CUSTOMER:

PART NUMBER: BM1290-0520-42

CUSTOMER PART NO.:

COMPANY PART NO.:

| CUSTOMER                 | APPROVED                | CHECKED |
|--------------------------|-------------------------|---------|
|                          |                         |         |
| SIGNECTURE<br>(Customer) | SIGNECTURE<br>(Company) |         |

Add: Rm 1610, Pengji Wisdom Center, Bagua 1st Rd, Futian Dist, Shenzhen, Guangdong, China

深圳市福田区八卦一路鹏基商务时空 1610

Tel: +86-755-8950 9282,

Fax: +86-755-8950 9880

Email: [tatspeaker@tatelec.com](mailto:tatspeaker@tatelec.com); [sales@tatelec.com](mailto:sales@tatelec.com);

[Http:// www.tatelec.com](http://www.tatelec.com)



|   |                |                  |              |             |
|---|----------------|------------------|--------------|-------------|
| <b>Specification for Electro-Magnetic Buzzer (Pin Type)</b> |                |                  | Update/09B04 | Page 2 of 5 |
|   |                |                  | Des.         | Chk.        |
| <b>Model No.:</b>   | BM1290-0520-42 | <b>Part No.:</b> | Li YanFei    | Jiang Yin   |
|   |                |                  | 7/19/2019    | 7/19/2019   |

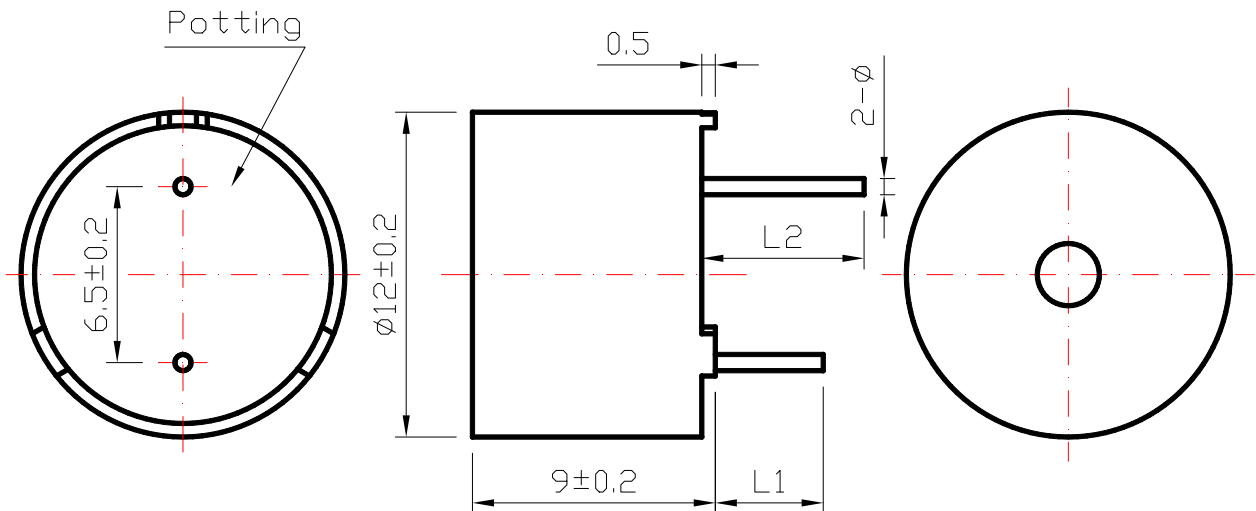
## 1. SPECIFICATION

### Electro-Magnetic Buzzer

|    |                       |   |
|----|-----------------------|---|
| 1  | Dimension             | $\Phi 12.0 \times H9.0$                                     |
| 2  | Net Weight            | Approx 1.5g   |
| 3  | Rated Voltage         | 5 Vo-p  |
| 4  | Operating Voltage     | 4~7 Vo-p  |
| 5  | Rated Current         | Max.70mA ,at 2.048KHz 50% duty Square Wave 5Vo-p            |
| 6  | Sound Output          | Min. 85dB,at 2.048KHz 50% duty Square Wave 5Vo-p            |
| 7  | Coil Resistance       | $42 \pm 4\Omega$  |
| 8  | Resonant Frequency    | 2048Hz  |
| 9  | Operating Temperature | $-20^{\circ}\text{C} \sim +70^{\circ}\text{C}$              |
| 10 | Store Temperature     | $-30^{\circ}\text{C} \sim +80^{\circ}\text{C}$              |
| 11 | Pin                   | $L1=4.0 \pm 0.5, L2=5.5 \pm 0.5, \Phi=0.6 \pm 0.1\text{mm}$ |

### Dimensions

Unit: mm



\*Unit: mm; Tolerance:  $\pm 0.5\text{mm}$  Except Specified

\*Housing Material: Black PPO



| Specification for Electro-Magnetic Buzzer (Pin Type) |                | Update/09B04 | Page 3 of 5 |
|--|----------------|--------------|-------------|
| Model No.:   | BM1290-0520-42 | Part No.:    |             |
|  |                | Des.         | Chk.        |
|  |                | Li YanFei    | Jiang Yin   |
|  |                | 7/19/2019    | 7/19/2019   |

## 2. Reliability Test

After any following tests the part shall meet specifications without any degradation in appearance and performance except SPL. SPL shall not deviate more than -10 dB from the initial value

### 2.1 Ordinary Temperature Life Test

The part shall be subjected to 96 hours at  $25 \pm 10^\circ\text{C}$ . Input rated voltage Resonant frequency, 1/2 duty Square wave.

### 2.2 High Temperature Test

The part shall be capable of with standing a storage temperature of  $+85^\circ\text{C}$  for 96 hours.

### 2.3 Low Temperature Test

The part shall be capable of with standing a storage temperature of  $-40^\circ\text{C}$  for 96 hours.

### 2.4 Humidity Test

Temperature:  $+40^\circ\text{C} \pm 3^\circ\text{C}$  Relative Humidity: 90%~95% Duration: 48 hours and expose to room temperature for 6 hours

### 2.5 Temperature Shock Test

Temperature:  $70^\circ\text{C}$  /1hour  $\rightarrow$   $25^\circ\text{C}$  /3hours  $\rightarrow$   $-30^\circ\text{C}$  /1hour  $\rightarrow$   $25^\circ\text{C}$  /3hours (1cycle)  
Total cycle: 10 cycles

### 2.6 Drop Test

Standard Packaging From 1.2m (Drop on hard wood or board of 5cm thick, three sides, six plain.)

### 2.7 Vibration Test

Vibration: 1000cycles /min. Amplitude: 1.5mm, Duration: 1 hour in each 3 axes

### Note:

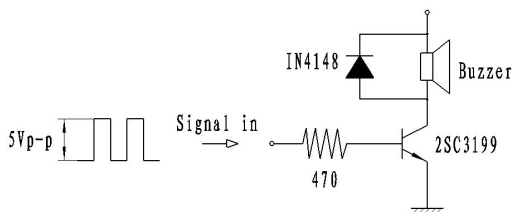
As this product is not protected from foreign material entering, please make sure that any foreign materials (e.g. magnetic powder, washing solvent, flux, corrosive gas) do not enter this product in your production processes. The functional degradation (e.g. SPL down) may occur if foreign material enter it.

## 3. Electrical And Acoustical Measuring Condition

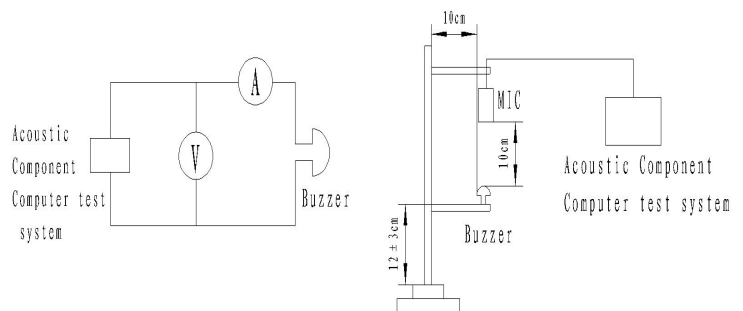
### 3.1 Recommended Driving Circuit

Resonant frequency, 1/2 duty cycle.

Square wave. Signal amplitude should be large enough to saturate the transistor.



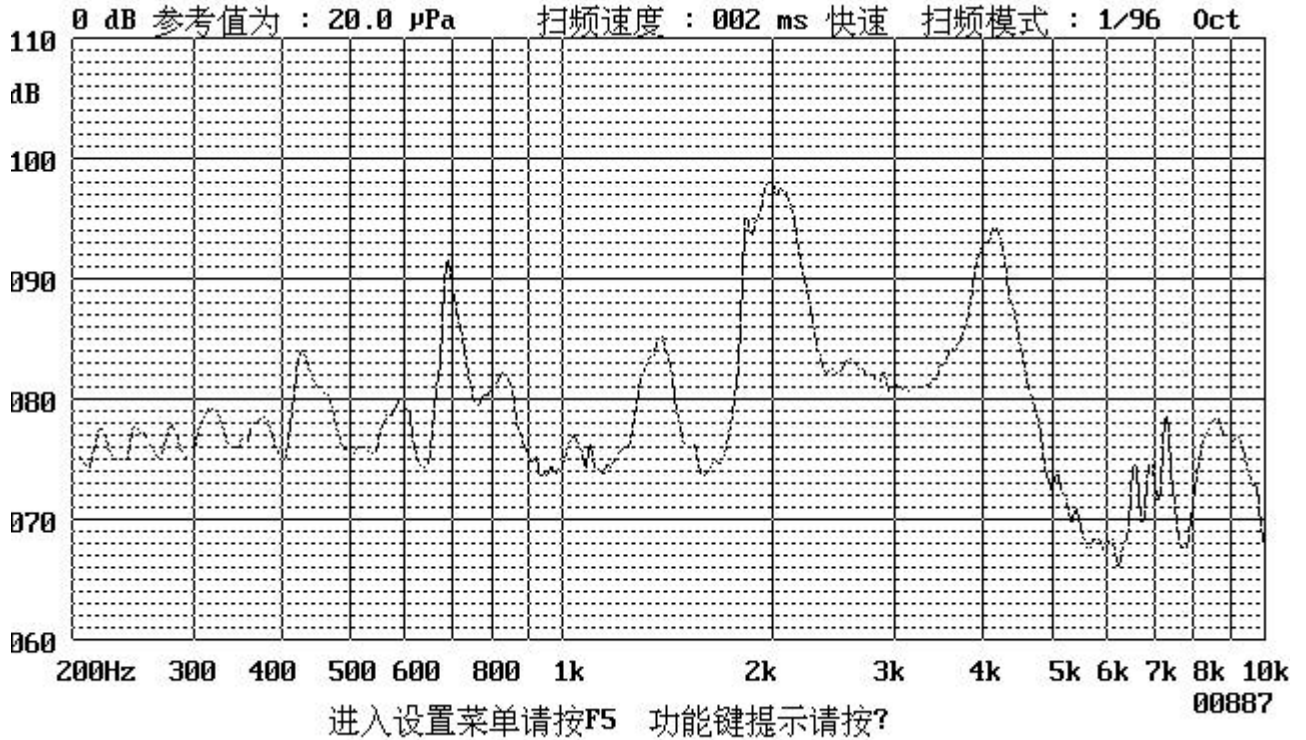
### 3.2 Recommended Setting





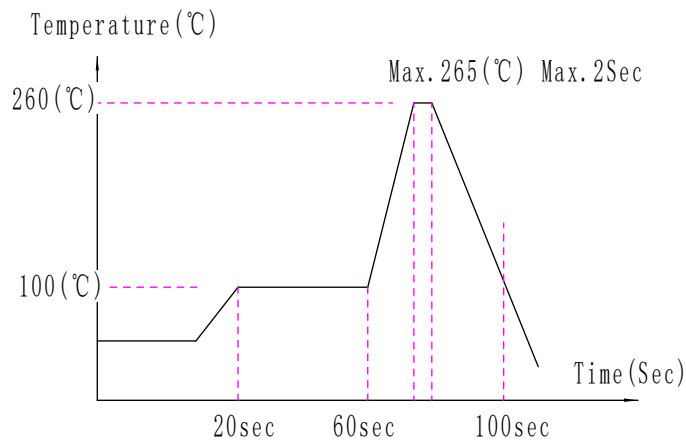
| Specification for Electro-Magnetic Buzzer (Pin Type) |                |           | Update/09B04 | Page 4 of 5 |
|--|----------------|-----------|--------------|-------------|
| Model No.:   | BM1290-0520-42 | Part No.: | Des.         | Chk.        |
|  |                |           | Li YanFei    | Jiang Yin   |
|  |                |           | 7/19/2019    | 7/19/2019   |

#### 4. Frequency Response



5Vo-p 50% duty Square wave, 10cm

#### 5. Recommended the wave soldering temperature





|   |                |              |             |
|---|----------------|--------------|-------------|
| Specification for Electro-Magnetic Buzzer<br>(Pin Type) |                | Update/09B04 | Page 5 of 5 |
|   |                | Des.         | Chk.        |
| Model No.:  | BM1290-0520-42 | Part No.:    |             |
|   |                | Li YanFei    | Jiang Yin   |
|   |                | 7/19/2019    | 7/19/2019   |

## 6. Packing

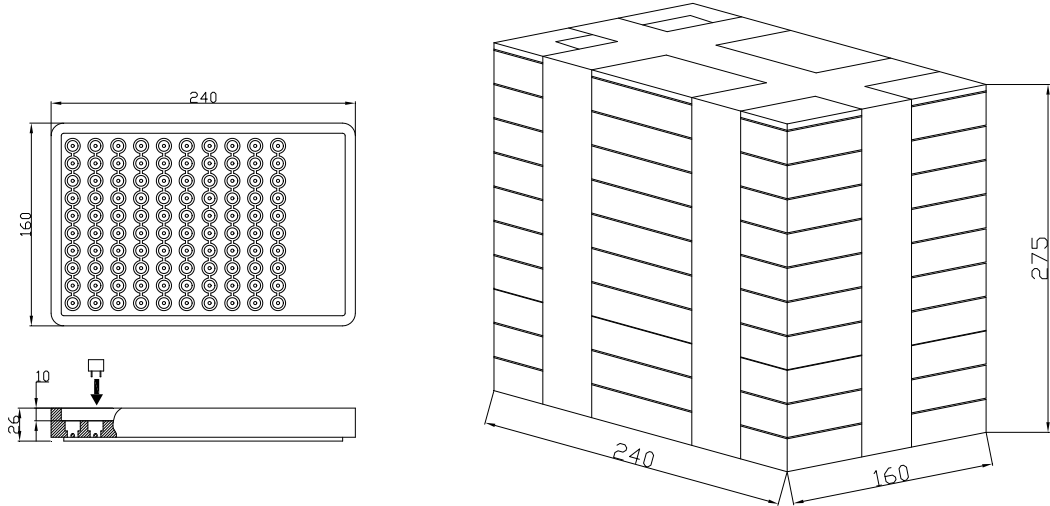


Fig.1

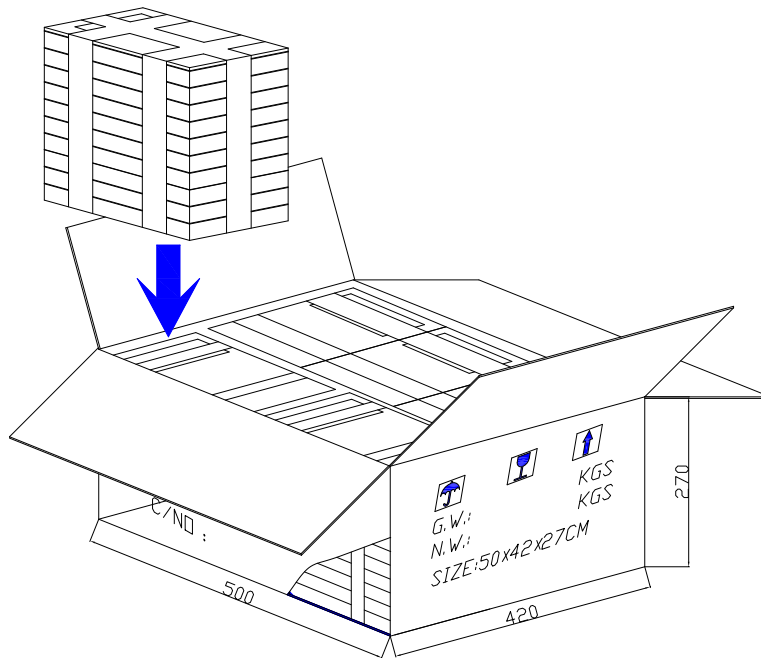


Fig.2

|   | 包装名称 | 包装数量 (pcs) | 包装尺寸 (mm)   | 图解     |
|---|------|------------|-------------|--------|
| 1 | 泡沫盒  | 100        | 240×160×24  | Fig. 1 |
| 2 | 一叠   | 1000       | 240×160×225 | Fig. 1 |
| 3 | 箱子   | 5000       | 500×420×270 | Fig. 2 |