



APPROVAL SHEET
FOR
PIEZO BUZZER

深圳市銳創達電子有限公司

TAT ELECTRONICS CO. LTD.

CUSTOMER:

PART NUMBER: BP1625S-0340

CUSTOMER PART NO.:

CUSTOMER	APPROVED	CHECKED

Add: Rm 1610, Pengji Wisdom Center, Bagua 1st Rd, Futian Dist,
Shenzhen, Guangdong, China

深圳市福田区八卦一路鹏基商务时空 1610

Tel: +86-755-8950 9282, 82370515;

Fax: +86-755-89509880

Email: tatspeaker@tatelec.com;

[Http:// www.tatelec.com](http://www.tatelec.com).



Specification for Piezoelectric Ceramic Buzzer SMD Type		Des.	Page 2 of 5
		Jiang wei rong	Update/2018-5-3
Model No.: BP1625S-0340	Date Code:	Chk.	Apr.
		Jiang Yin	

1. Technical Parameter

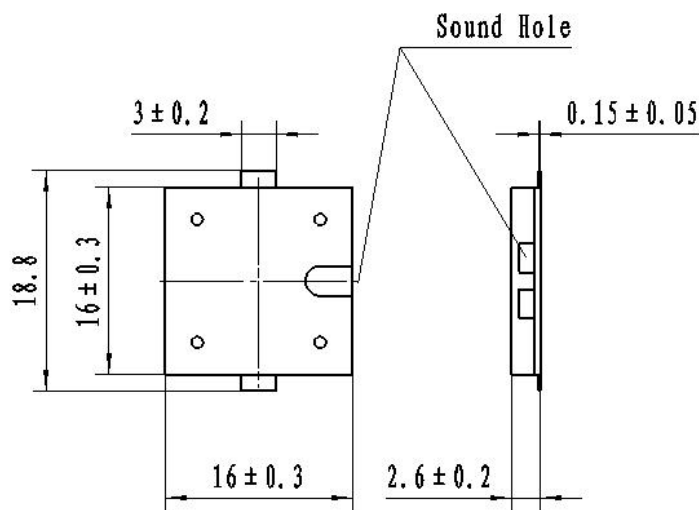
Measuring condition

Part shall be measured under a condition (Temperature: 5 ~ 35°C, Humidity: 45% ~ 85%R.H., Atmospheric pressure: 860 ~ 1060hPa) unless the standard condition (Temperature: 25±3°C, Humidity: 60±10%R.H. Atmospheric pressure: 860 ~ 1060hPa) is regulated to measure.

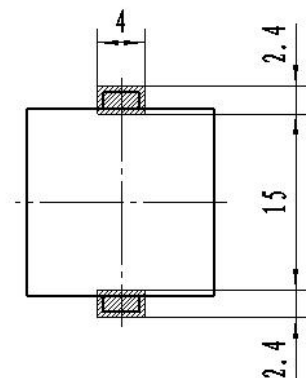
1	Resonant Frequency	4000 ± 500Hz
2	Operating Voltage	3Vp-p
3	Rated Current	Max. 1mA ,at 4KHz 50% duty Square Wave 3Vp-p
4	Sound Output at 10cm	Min. 70dB,at 4KHz 50% duty Square Wave 3Vp-p
5	Capacitance	15000 ± 30%pF at 1KHz
6	Operating Temperature	-20°C ~ +70°C
7	Store Temperature	-30°C ~ +80°C
8	Net Weight	Approx 0.5g
9	RoHS	Yes

2. Dimensions

Unit: mm



Recommendable Land Pattern



*Unit: mm; Tolerance: ±0.3mm Except Specified

*Housing Material: Black LCP

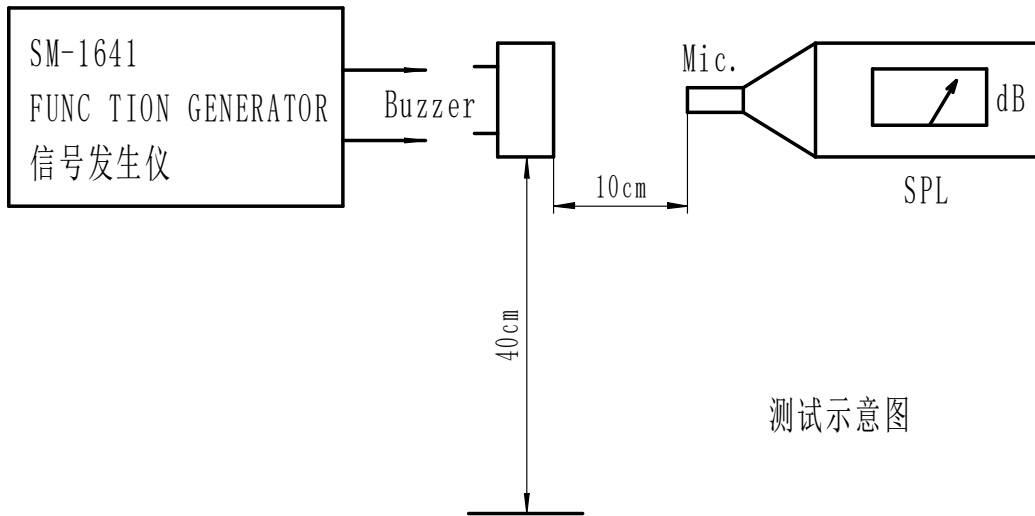
*Terminal plate: 2 soldering pads, tin Plating Brass



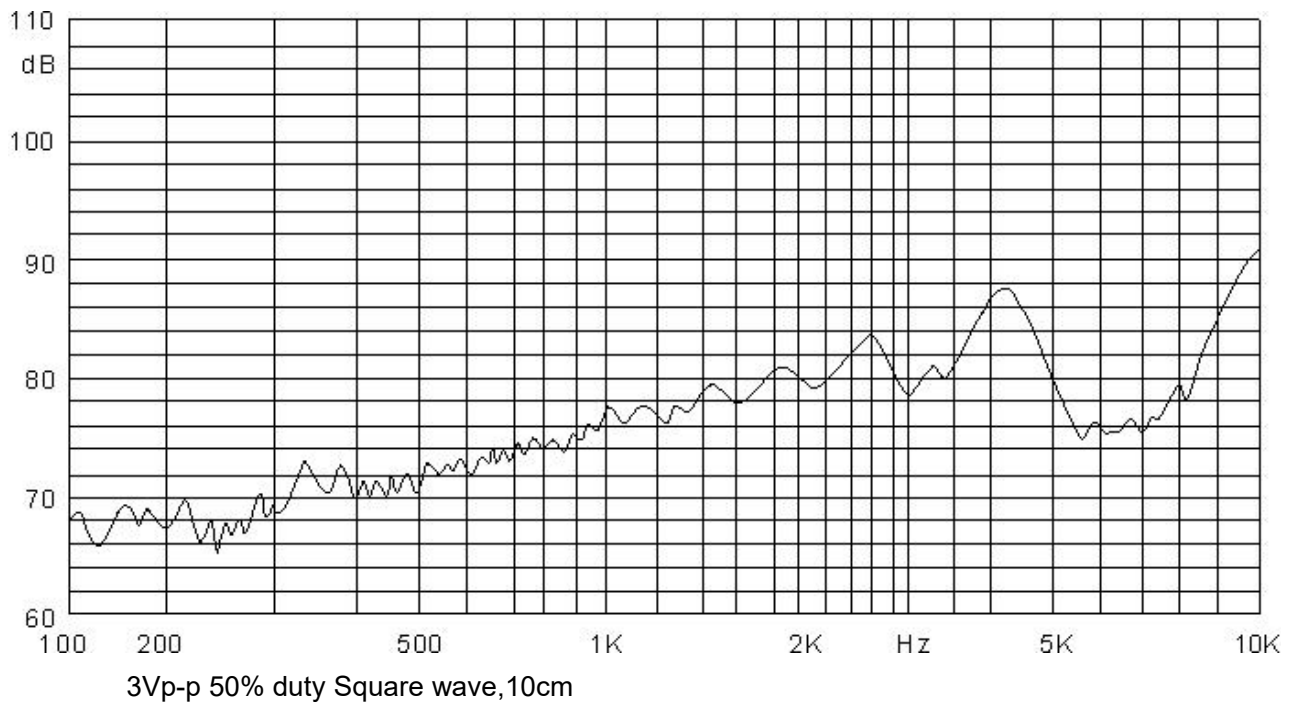
Specification for Piezoelectric Ceramic Buzzer SMD Type		Des.	Page 3 of 5
		Jiang wei rong	Update/2018-5-3
Model No.: BP1625S-0340	Date Code:	Chk.	Apr.
		Jiang Yin	

3. Electrical And Acoustical Measuring Condition

Recommended Setting



4. Frequency Response



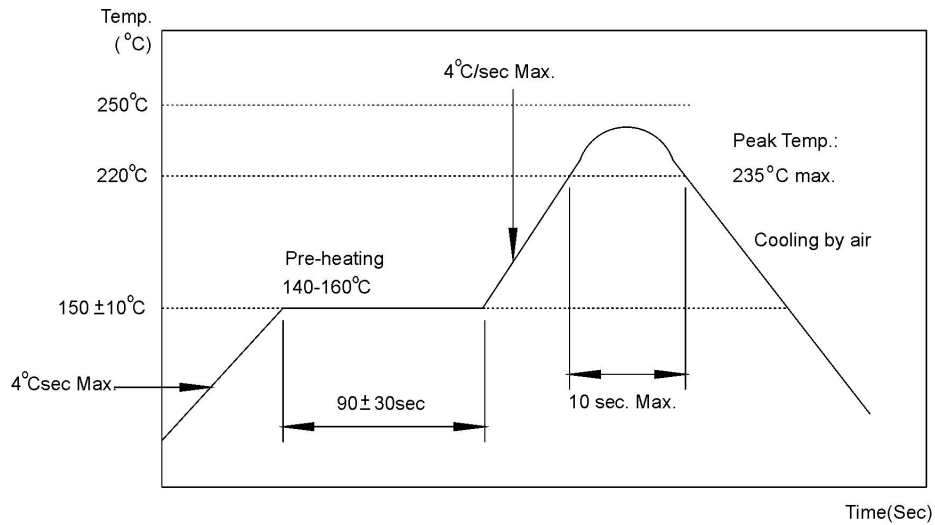


Specification for Piezoelectric Ceramic Buzzer SMD Type		Des.	Page 4 of 5
		Jiang wei rong	Update/2018-5-3
Model No.: BP1625S-0340	Date Code:	Chk.	Apr.
		Jiang Yin	

5. Surface mounting condition

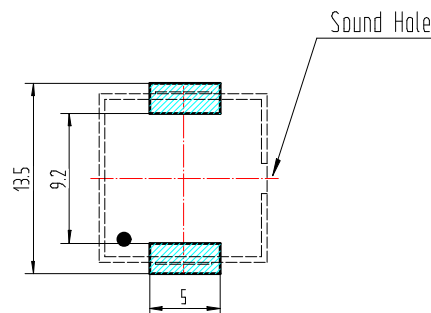
5.1 Reflow soldering

Recommendable reflow soldering condition is as follows.



- Note:** (1) In automated mounting of the SMD sound transducers on PCB, any bending, expanding and pulling forces or shocks against the SMD sound transducers shall be kept minimum to prevent them from electrical failures and mechanical damages of the devices.
- (2) In the reflow soldering, too high soldering temperatures and too large temperature Gradient such as rapid heating or cooling may cause electrical failures and mechanical damages of the devices.

5.2 Soldering pattern





Specification for Piezoelectric Ceramic Buzzer SMD Type		Des.	Page 5 of 5
		Jiang wei rong	Update/2018-5-3
Model No.: BP1625S-0340	Date Code:	Chk.	Apr.
		Jiang Yin	

6. Reliability Test

After any following tests the part shall meet specifications without any degradation in appearance and performance except SPL. SPL shall not deviate more than -10 dB from the initial value

6.1 Ordinary Temperature Life Test

The part shall be subjected to 96 hours at $25 \pm 10^\circ\text{C}$. Input rated voltage Resonant frequency, 1/2 duty Square wave.

6.2 High Temperature Test

The part shall be capable of with standing a storage temperature of $+80^\circ\text{C}$ for 96 hours.

6.3 Low Temperature Test

The part shall be capable of with standing a storage temperature of -30°C for 96 hours.

6.4 Humidity Test

Temperature: $+40^\circ\text{C} \pm 3^\circ\text{C}$ Relative Humidity: 90%~95% Duration: 48 hours and expose to room temperature for 6 hours

6.5 Temperature Shock Test

Temperature: 60°C /1hour \rightarrow 25°C /3hours \rightarrow -20°C /1hour \rightarrow 25°C /3hours (1cycle)
Total cycle: 10 cycles

6.6 Drop Test

Standard Packaging From 120cm (Drop on hard wood or board of 5cm thick, three sides, six plain.)

6.7 Vibration Test

Vibration: 1000cycles /min. Amplitude: 1.5mm, Duration: 1 hour in each 3 axes

6.8 Reflow Test

Use recommendable reflow soldering condition (as shown in 5.1)

- (1) No abnormality should be found after reflow
- (2) Good soldering to meet soldering requirements

Note:

As this product is not protected from foreign material entering, please make sure that any foreign materials (e.g. magnetic powder, washing solvent, flux, corrosive gas) do not enter this product in your production processes. The functional degradation (e.g. SPL down) may occur if foreign material enter it.