



APPROVAL SHEET  
FOR  
PIEZO BUZZER

深圳市銳創達電子有限公司

*TAT ELECTRONICS CO., LTD.*

CUSTOMER:

MODEL NUMBER: BP2270D-20

OUR PART NO.:

CUSTOMER PART NO.:

CUSTOMER	APPROVED	CHECKED

Add: Rm 1610, Pengji Wisdom Center, Bagua 1st Rd, Futian Dist,  
Shenzhen, Guangdong, China

深圳市福田区八卦一路鹏基商务时空 1610

Tel: +86-755-8950 9282, 82370515;

Fax: +86-755-89509880

Email: [tatspeaker@tatelec.com](mailto:tatspeaker@tatelec.com);

[Http:// www.tatelec.com](http://www.tatelec.com)



Specification for Piezoelectric Ceramic Buzzer Pin Type		Des.	Page 2 of 4
		Jiang wei rong	Update/2011-06-11
Model No.: BP2270D-20	P/N:	Chk.	Apr.
		Jiang Yin	

## 1. Technical Parameter

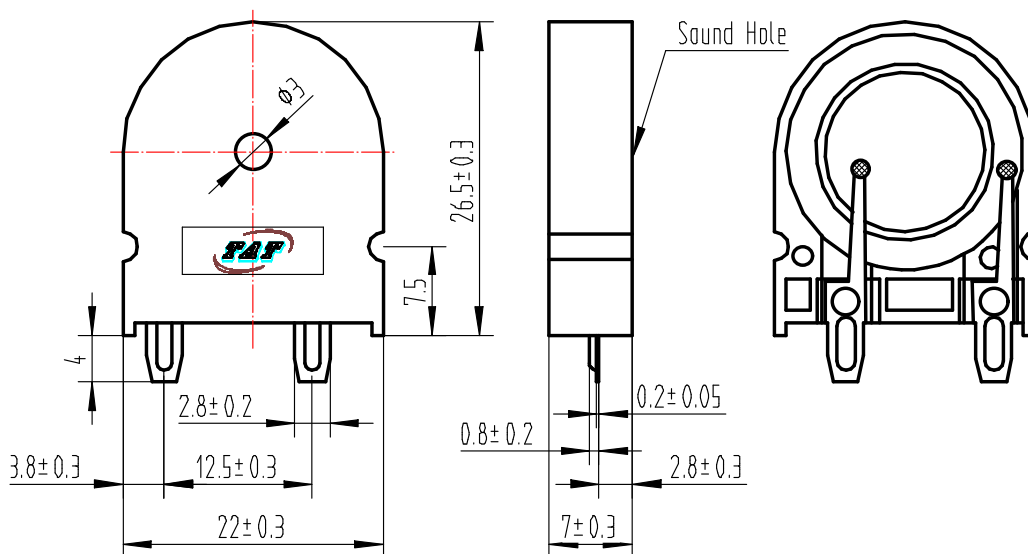
### Measuring condition

Part shall be measured under a condition (Temperature: 5 ~ 35°C, Humidity: 45% ~ 85%R.H., Atmospheric pressure: 860 ~ 1060hPa) unless the standard condition (Temperature: 25±3°C, Humidity: 60±10%R.H. Atmospheric pressure: 860 ~ 1060hPa) is regulated to measure.

1	Resonant Frequency	2000 ± 500Hz
2	Operating Voltage	1 ~ 25 Vp-p
3	Rated Current	Max.5mA , At 2KHz 50% duty Square Wave 9Vp-p
4	Sound Output at 10cm	Min. 85dB, At 2KHz 50% duty Square Wave 9Vp-p
5	Capacitance	30000 ± 30% pF At 1KHz
6	Operating Temperature	-20°C ~ +70°C
7	Store Temperature	-30°C ~ +80°C
8	Net Weight	Approx 2.5g
9	RoHS	Yes

## 2. Dimensions

Unit: mm



\*Unit: mm; Tolerance: ± 0.5mm Except Specified

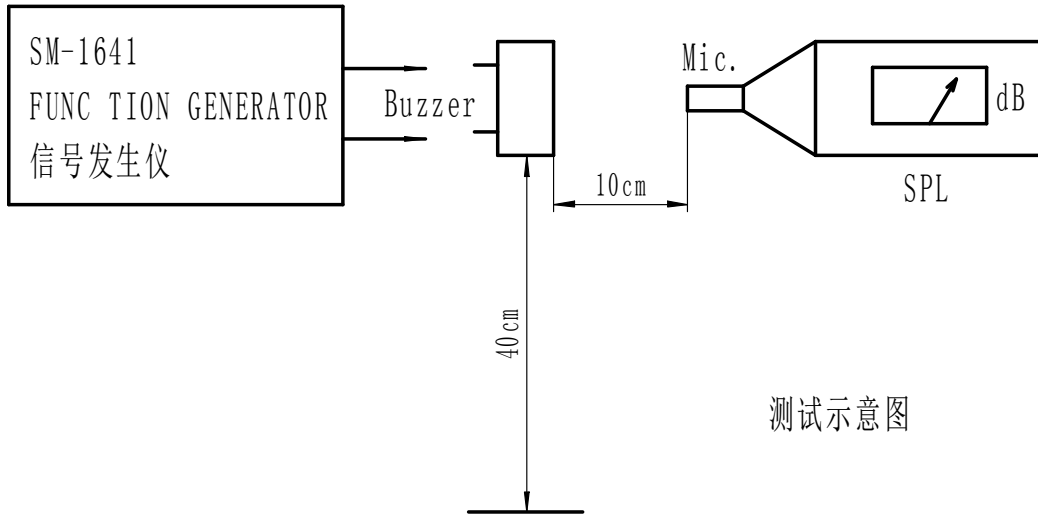
\*Housing Material: Black PBT



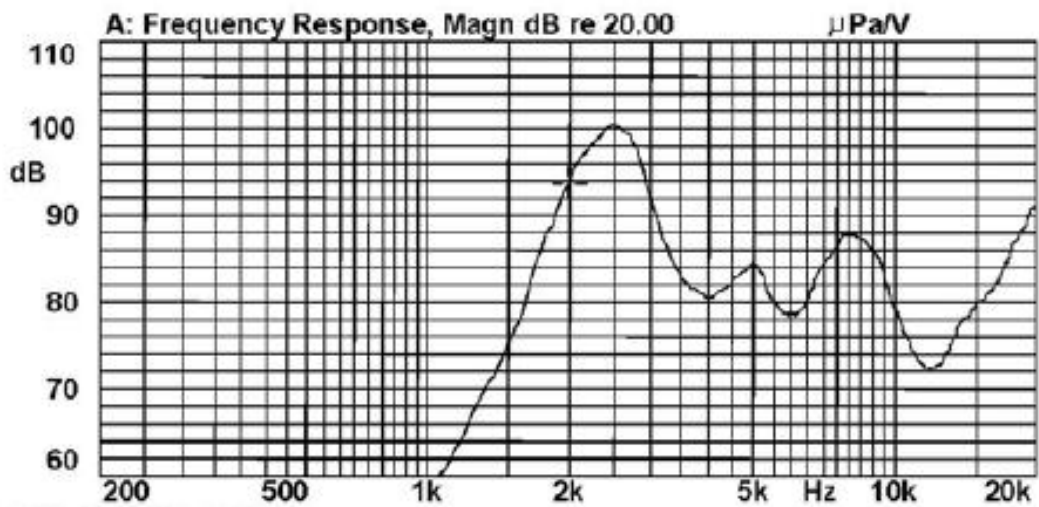
Specification for Piezoelectric Ceramic Buzzer Pin Type		Des.	Page 3 of 4
		Jiang wei rong	Update/2011-06-11
Model No.: BP2270D-20	P/N:	Chk.	Apr.
		Jiang Yin	

### 3. Electrical And Acoustical Measuring Condition

#### Recommended Setting



### 4. Frequency Response

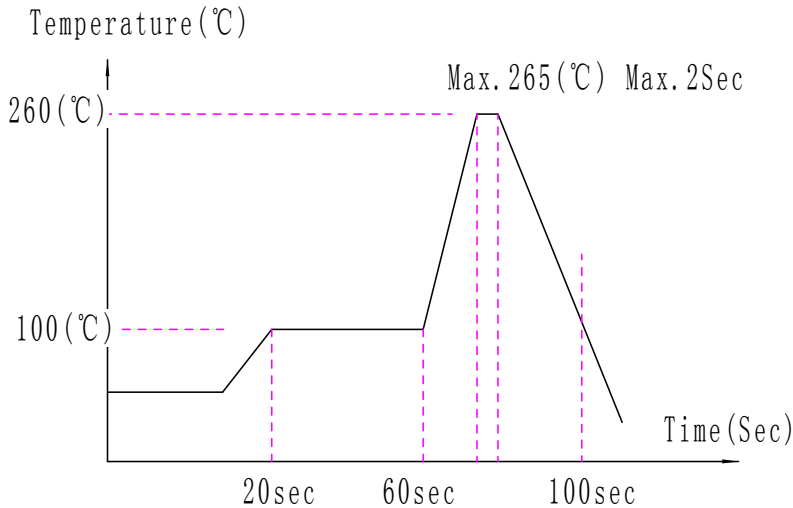


9Vp-p 50% duty Square wave, 10cm



<b>Specification for Piezoelectric Ceramic Buzzer Pin Type</b>		Des.	Page 4 of 4
		Jiang wei rong	Update/2011-06-11
Model No.: BP2270D-20	P/N:	Chk.	Apr.
		Jiang Yin	

## 5. Recommended the wave soldering temperature



## 6. Reliability Test

After any following tests the part shall meet specifications without any degradation in appearance and performance except SPL. SPL shall not deviate more than -5 dB from the initial value

### 6.1 Ordinary Temperature Life Test

The part shall be subjected to 96 hours at  $25 \pm 10^\circ\text{C}$ . Input rated voltage Resonant frequency, 1/2 duty Square wave.

### 6.2 High Temperature Test

The part shall be capable of with standing a storage temperature of  $+80^\circ\text{C}$  for 96 hours.

### 6.3 Low Temperature Test

The part shall be capable of with standing a storage temperature of  $-30^\circ\text{C}$  for 96 hours.

### 6.4 Humidity Test

Temperature:  $+40^\circ\text{C} \pm 3^\circ\text{C}$  Relative Humidity: 90%~95% Duration: 48 hours and expose to room temperature for 6 hours

### 6.5 Temperature Shock Test

Temperature:  $60^\circ\text{C}$  /1hour  $\rightarrow$   $25^\circ\text{C}$  /3hours  $\rightarrow$   $-20^\circ\text{C}$  /1hour  $\rightarrow$   $25^\circ\text{C}$  /3hours (1cycle)  
Total cycle: 10 cycles

### 6.6 Drop Test

Standard Packaging From 1.2m (Drop on hard wood or board of 5cm thick, three sides, six plain.)

### 6.7 Vibration Test

Vibration: 1000cycles /min. Amplitude: 1.5mm, Duration: 1 hour in each 3 axes

### Note:

As this product is not protected from foreign material entering, please make sure that any foreign materials (e.g. magnetic powder, washing solvent, flux, corrosive gas) do not enter this product in your production processes. The functional degradation (e.g. SPL down) may occur if foreign material enter it.