



APPROVAL SHEET
FOR
MAGNETIC BUZZER

深圳市銳創達電子有限公司

TAT ELECTRONICS CO., LTD.

CUSTOMER:

MODEL NO.: BM7525S-0327-16

OUR PART NO.:

CUSTOMER PART NO.:

CUSTOMER	APPROVED	CHECKED

Add: Rm 1610, Pengji Wisdom Center, Bagua 1st Rd, Futian Dist,
Shenzhen, Guangdong, China

深圳市福田区八卦一路鹏基商务时空 1610

Tel: +86-755-8950 9282, 82370515;

Fax: +86-755-89509880

Email: tatspeaker@tatelec.com;

[Http:// www.tatelec.com](http://www.tatelec.com).



Specification for Electro-Magnetic Buzzer (SMD Type)			Page 2 of 7	
		Des.		Chk.
Model No.:	BM7525S-0327-16	Part No.	Li YanFei	Jiang Yin
		7/5/2019		7/5/2019

1. Technical Parameter

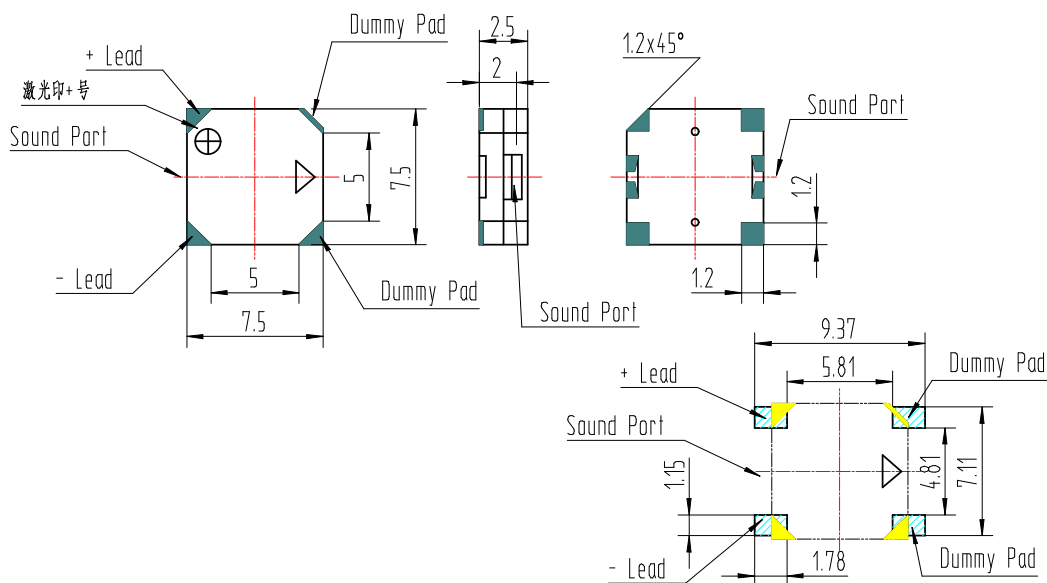
Measuring condition

Part shall be measured under a condition (Temperature: 5 ~ 35°C, Humidity: 45% ~ 85%R.H., Atmospheric pressure: 860 ~ 1060hPa) unless the standard condition (Temperature: 25±3°C, Humidity: 60±10%R.H. Atmospheric pressure: 860 ~ 1060hPa) is regulated to measure.

1	Rated Voltage	3.6 Vo-p
2	Operating Voltage	2.5~4.5 Vo-p
3	Rated Current	Max.100mA ,at 2731Hz 50% duty Square Wave 3.6Vo-p
4	Sound Output at 10cm	Min. 82dB,at 2731Hz 50% duty Square Wave 3.6Vo-p
5	Coil Resistance	16±3Ω
6	Resonant Frequency	2731Hz
7	Operating Temperature	-20°C ~ +70°C
8	Store Temperature	-40°C ~ +85°C
9	Net Weight	Approx 0.5g
10	RoHS	Yes

2. Dimensions

Unit: mm



*Unit: mm; Tolerance: ±0.3mm Except Specified

*Housing Material: Black LCP

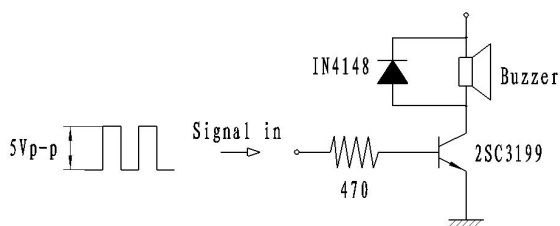
*Terminal plate: 3 soldering pads, tin Plating Brass



Specification for Electro-Magnetic Buzzer (SMD Type)			Page 3 of 7	
		Des.	Chk.	
Model No.:	BM7525S-0327-16	Part No.	Li YanFei	Jiang Yin
			7/5/2019	7/5/2019

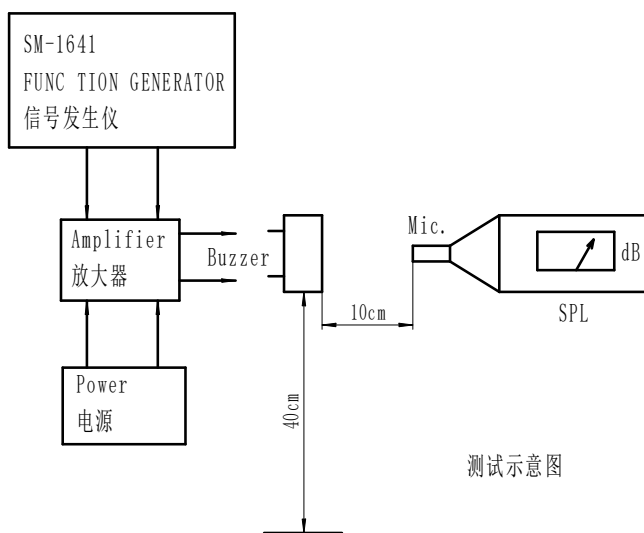
3. Electrical And Acoustical Measuring Condition

Recommended Driving Circuit

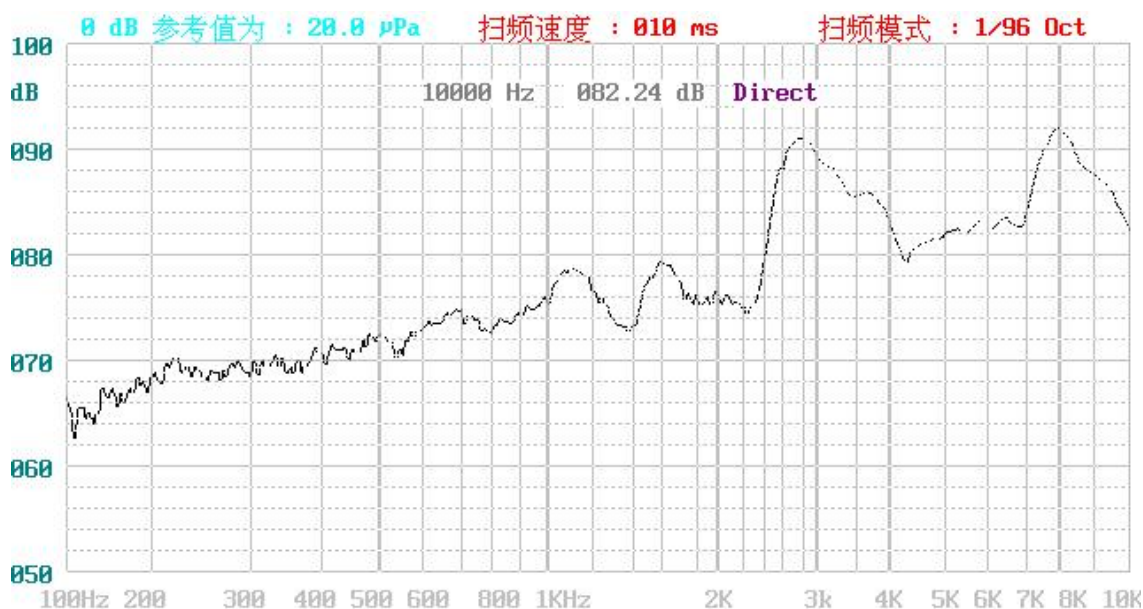


Resonant frequency, 1/2 duty cycle. Square wave.
Signal amplitude should be large enough to saturate the transistor.

Recommended Setting



4. Frequency Response



3.6Vo-p 50% duty Square wave, 10cm

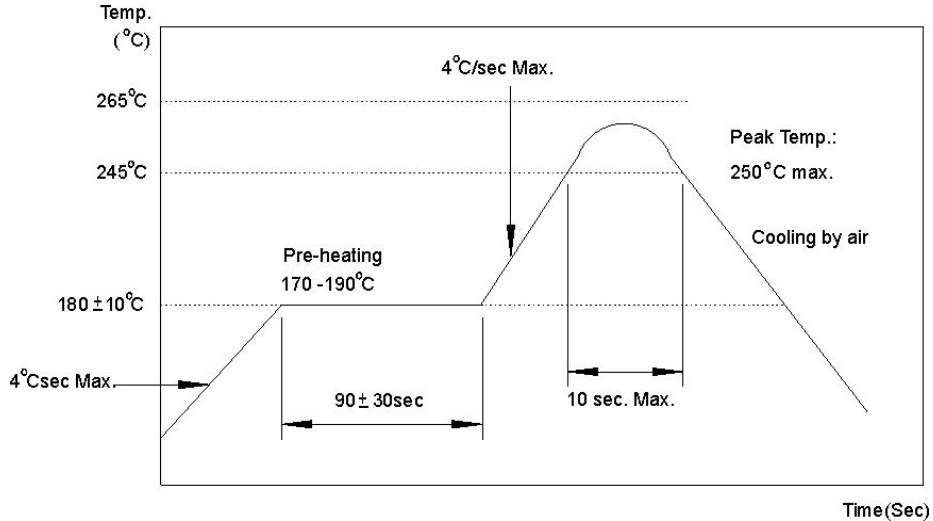


Specification for Electro-Magnetic Buzzer (SMD Type)			Page 4 of 7	
			Des.	Chk.
Model No.:	BM7525S-0327-16	Part No.	Li YanFei	Jiang Yin
			7/5/2019	7/5/2019

5. Surface mounting condition

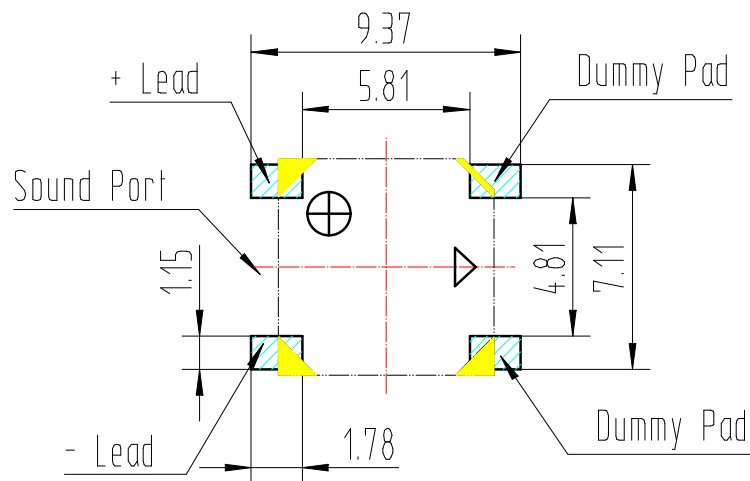
5.1 Reflow soldering

Recommendable reflow soldering condition is as follows.



- Note:** (1) In automated mounting of the SMD sound transducers on PCB, any bending, expanding and pulling forces or shocks against the SMD sound transducers shall be kept minimum to prevent them from electrical failures and mechanical damages of the devices.
- (2) In the reflow soldering, too high soldering temperatures and too large temperature Gradient such as rapid heating or cooling may cause electrical failures and mechanical damages of the devices.

5.2 Soldering pattern





Specification for Electro-Magnetic Buzzer (SMD Type)			Page 5 of 7	
			Des.	Chk.
Model No.:	BM7525S-0327-16	Part No.	Li YanFei	Jiang Yin
			7/5/2019	7/5/2019

6. Reliability Test

After any following tests the part shall meet specifications without any degradation in appearance and performance except SPL. SPL shall not deviate more than -10 dB from the initial value

6.1 Ordinary Temperature Life Test

The part shall be subjected to 96 hours at $25 \pm 10^\circ\text{C}$. Input rated voltage Resonant frequency, 1/2 duty Square wave.

6.2 High Temperature Test

The part shall be capable of with standing a storage temperature of $+85^\circ\text{C}$ for 96 hours.

6.3 Low Temperature Test

The part shall be capable of with standing a storage temperature of -40°C for 96 hours.

6.4 Humidity Test

Temperature: $+40^\circ\text{C} \pm 3^\circ\text{C}$ Relative Humidity: 90%~95% Duration: 48 hours and expose to room temperature for 6 hours

6.5 Temperature Shock Test

Temperature: 60°C /1hour \rightarrow 25°C /3hours \rightarrow -20°C /1hour \rightarrow 25°C /3hours (1cycle)
Total cycle: 10 cycles

6.6 Drop Test

Standard Packaging From 75cm (Drop on hard wood or board of 5cm thick, three sides, six plain.)

6.7 Vibration Test

Vibration: 1000cycles /min. Amplitude: 1.5mm, Duration: 1 hour in each 3 axes

6.8 Reflow Test

Use recommendable reflow soldering condition (as shown in 5.1)

- (1) No abnormality should be found after reflow
- (2) Good soldering to meet soldering requirements

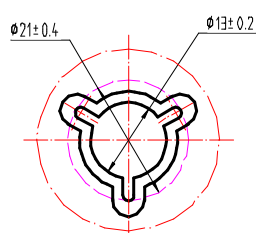
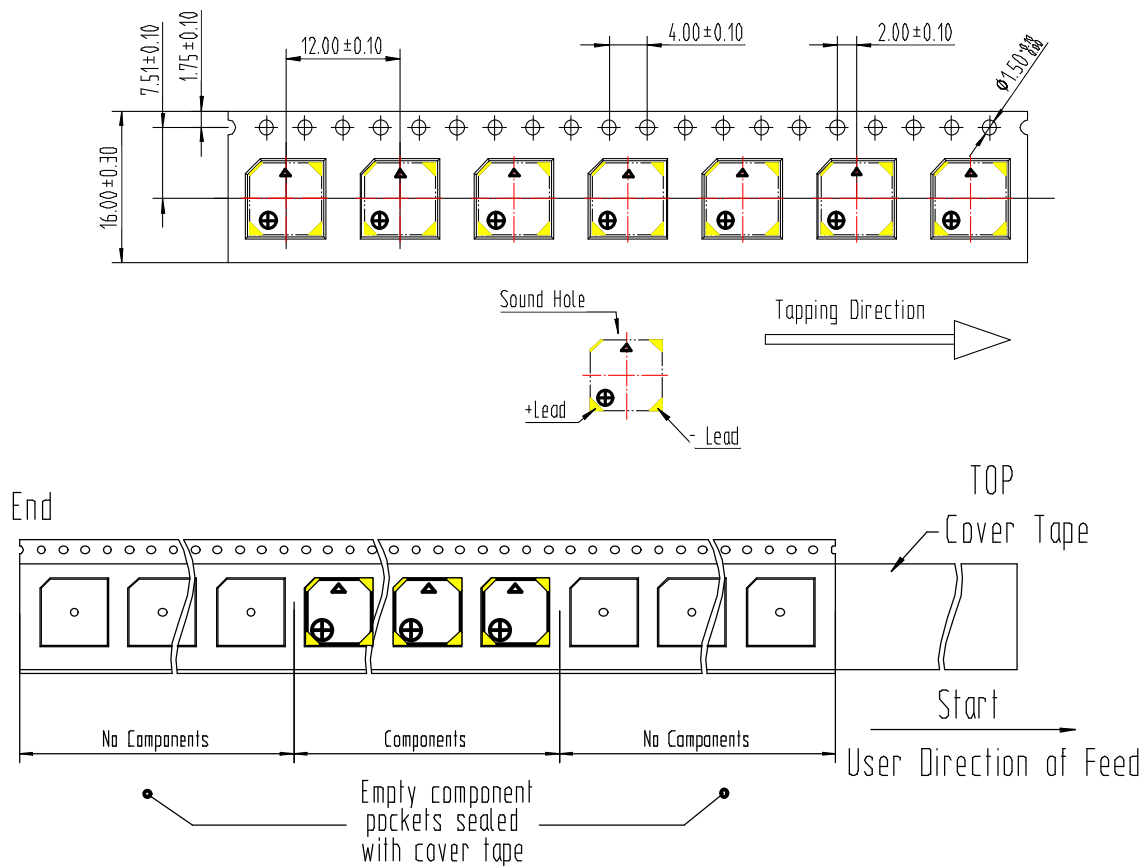
Note:

As this product is not protected from foreign material entering, please make sure that any foreign materials (e.g. magnetic powder, washing solvent, flux, corrosive gas) do not enter this product in your production processes. The functional degradation (e.g. SPL down) may occur if foreign material enter it.

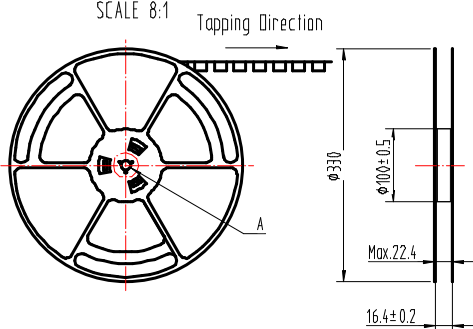


Specification for Electro-Magnetic Buzzer (SMD Type)			Page 6 of 7	
		Des.	Chk.	
Model No.:	BM7525S-0327-16	Part No.	Li YanFei	Jiang Yin
			7/5/2019	

7 Packing

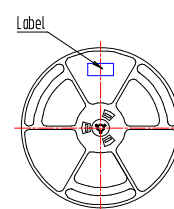


DETAIL: A
SCALE: 8:1

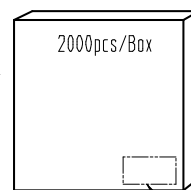
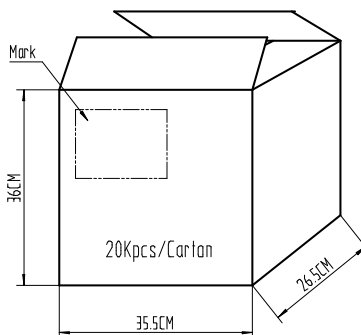


Label

P/N: 190701
Model No.: BM7525S-xxxx-xx
Qty.: 2000pcs
Lot No.: XXXXXX



Inside box



1 Reel/Inside box
(34*34*2.4 CM)



Specification for Electro-Magnetic Buzzer (SMD Type)			Page 7 of 7	
			Des.	Chk.
Model No.:	BM7525S-0327-16	Part No.	Li YanFei	Jiang Yin
			7/5/2019	7/5/2019

8.其他信息	
包装要求	外箱料号: F6-005; 外箱尺寸 35*32*36cm 内盒料号: F6-054; 内箱尺寸 76*45.5cm 载带料号: F6-S75251; 上封带: F6-SF213 每个载盘用一个大 PE 袋装好再放入内盒; PE 袋料号: F6-610
唛头要求	内盒: 按客户订单
	外箱: 按客户订单

9.变更记录			
日期	变更项目	备注	确认人