



APPROVAL SHEET
FOR
MAGNETIC BUZZER

深圳市銳創達電子有限公司

TAT ELECTRONICS CO. LTD.

CUSTOMER:

PART NUMBER: BMC9650S-0527

CUSTOMER PART NO.:

CUSTOMER	APPROVED	CHECKED
SIGNECTURE (Customer)	SIGNECTURE (Company)	

Add: Rm 1610, Pengji Wisdom Center, Bagua 1st Rd, Futian Dist,
Shenzhen, Guangdong, China

深圳市福田区八卦一路鹏基商务时空 1610

Tel: +86-755-8950 9282, 82370515;

Fax: +86-755-89509880

Email: tatspeaker@tatelec.com;

[Http:// www.tatelec.com](http://www.tatelec.com).



Specification for Electro-Magnetic Buzzer (Pin Type)		Update/09B05	Page 2 of 5
		Des.	Chk.
Model No.:	BMC9650S-0527	Li YanFei	Jiang Yin
		8/26/2019	8/26/2019

1. Technical Parameter Measuring condition

Part shall be measured under a condition (Temperature: 5 ~ 35°C, Humidity: 45% ~ 85%R.H., Atmospheric pressure: 860 ~ 1060hPa) unless the standard condition (Temperature: 25±3°C, Humidity: 60±10%R.H. Atmospheric pressure: 860 ~ 1060hPa) is regulated to measure.

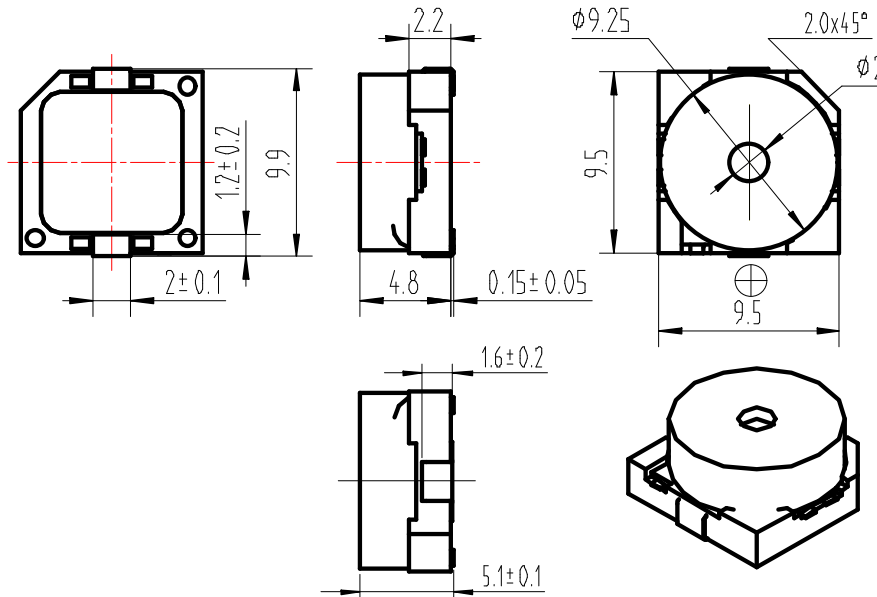


1	Rated Voltage	5 VDC
2	Operating Voltage	4- 7VDC
3	Rated Current	Max.30mA ,at 5VDC
4	Sound Output at 10cm	Min. 85dB,at 5VDC,10cm
5	Resonant Frequency	2700 ± 300 Hz
6	Tone	Continuous
7	Operating Temperature	-20 - + 80°C
8	Storage Temperature	-30 - +85°C
9	RoHS	Yes
10	Weight	Approx 0.7 g

2. Dimensions

Unit: mm

Tolerance: ±0.3mm Except Specified



*Housing Material: Black LCP



Specification for Electro-Magnetic Buzzer (Pin Type)		Update/09B05	Page 3 of 5
		Des.	Chk.
Model No.:	BMC9650S-0527	Li YanFei	Jiang Yin
		8/26/2019	8/26/2019

3、Reliability Test

After any following tests the part shall meet specifications without any degradation in appearance and performance except SPL. SPL shall not deviate more than -10 dB from the initial value

3.1 Ordinary Temperature Life Test

The part shall be subjected to 96 hours at $25 \pm 10^\circ\text{C}$. Input rated voltage Resonant frequency, 1/2 duty Square wave.

3.2 High Temperature Test

The part shall be capable of with standing a storage temperature of $+85^\circ\text{C}$ for 96 hours.

3.3 Low Temperature Test

The part shall be capable of with standing a storage temperature of -30°C for 96 hours.

3.4 Humidity Test

Temperature: $+40^\circ\text{C} \pm 3^\circ\text{C}$ Relative Humidity: 90%~95% Duration: 48 hours and expose to room temperature for 6 hours

3.5 Temperature Shock Test

Temperature: 70°C /1hour \rightarrow 25°C /3hours \rightarrow -30°C /1hour \rightarrow 25°C /3hours (1cycle)
Total cycle: 10 cycles

3.6 Drop Test

Standard Packaging From 75cm (Drop on hard wood or board of 5cm thick, three sides, six plain.)

3.7 Vibration Test

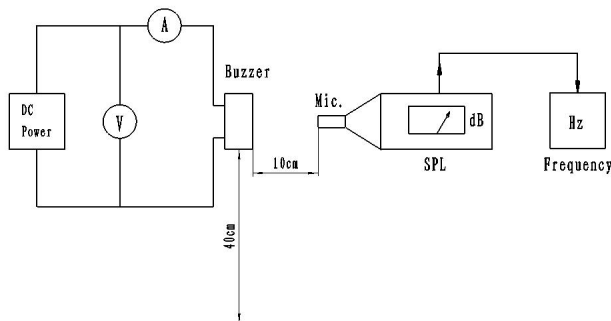
Vibration: 1000cycles /min. Amplitude: 1.5mm, Duration: 1 hour in each 3 axes

Note:

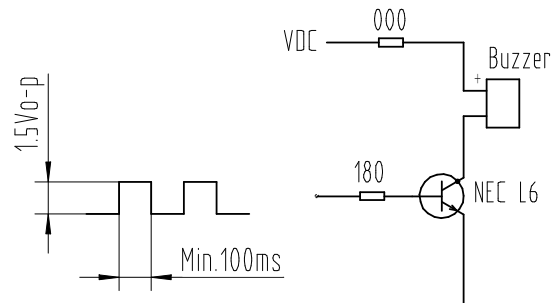
As this product is not protected from foreign material entering, please make sure that any foreign materials (e.g. magnetic powder, washing solvent, flux, corrosive gas) do not enter this product in your production processes. The functional degradation (e.g. SPL down) may occur if foreign material enter it.

4、Electrical And Acoustical Measuring Condition

a) Recommended Setting



b) Recommended Test Circuit



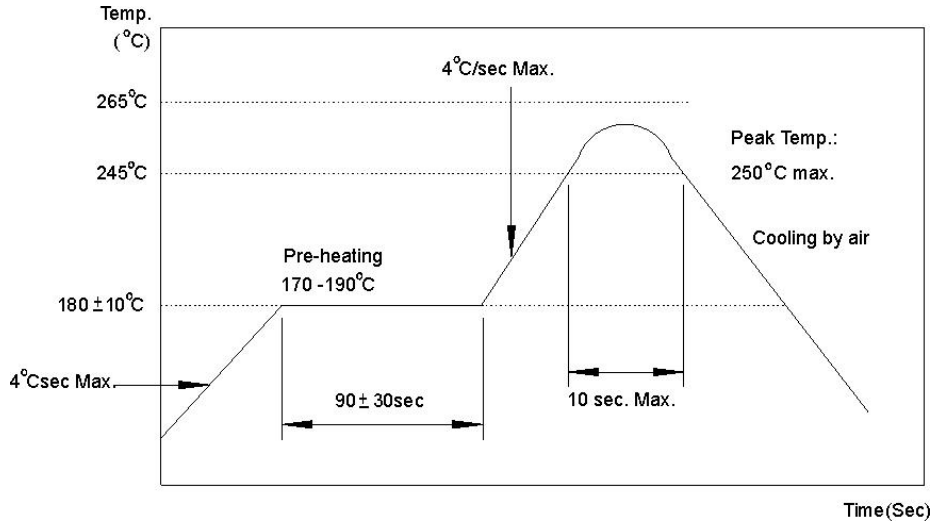


Specification for Electro-Magnetic Buzzer (Pin Type)		Update/09B05	Page 4 of 5
		Des.	Chk.
Model No.:	BMC9650S-0527	Li YanFei	Jiang Yin
		8/26/2019	8/26/2019

5. Surface mounting condition

5.1 Reflow soldering

Recommendable reflow soldering condition is as follows.

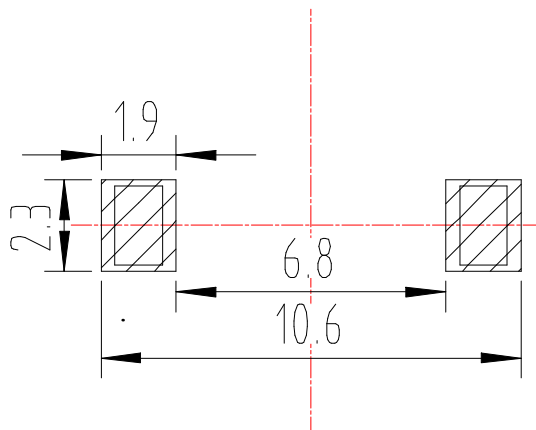


Note: (1) In automated mounting of the SMD sound transducers on PCB, any bending, expanding

and pulling forces or shocks against the SMD sound transducers shall be kept minimum to prevent them from electrical failures and mechanical damages of the devices.

(2) In the reflow soldering, too high soldering temperatures and too large temperature Gradient such as rapid heating or cooling may cause electrical failures and mechanical damages of the devices.

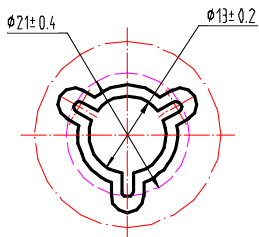
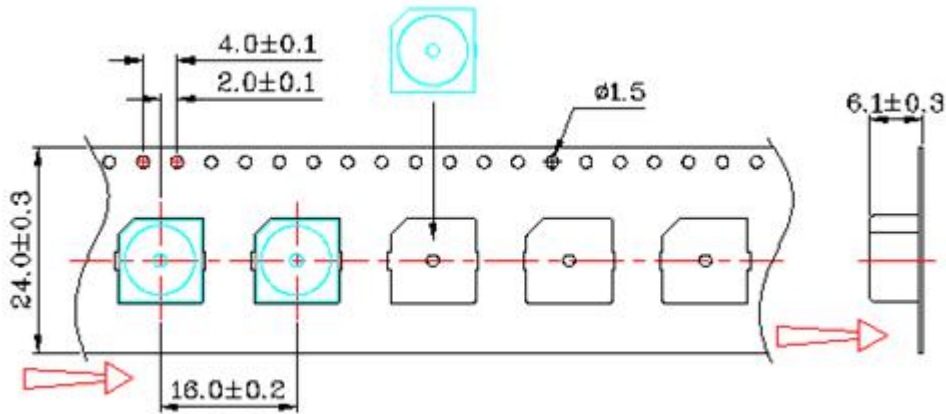
5.2 Soldering pattern





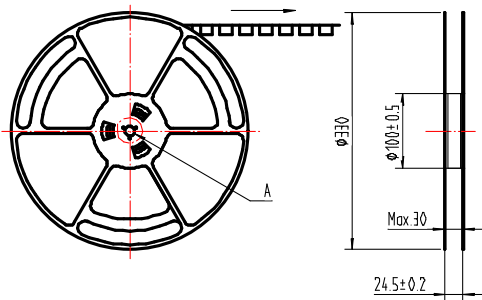
Specification for Electro-Magnetic Buzzer (Pin Type)		Update/09B05	Page 5 of 5
		Des.	Chk.
Model No.:	BMC9650S-0527	Li YanFei	Jiang Yin
		8/26/2019	8/26/2019

6. Packing



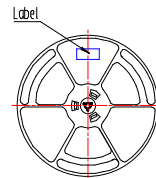
DETAIL: A
SCALE: 8:1

Tapping Direction

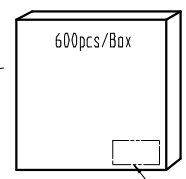


Label

P/N:
Model No.:
Qty.: 600pcs
Lot No.: XXXX



Inside box



1 Reel/Inside box
(34*34*3.2 CM)

