



APPROVAL SHEET  
FOR  
PIEZO BUZZER

深圳市銳創達電子有限公司

TAT ELECTRONICS CO. LTD.

CUSTOMER:

PART NUMBER: BP1733W40-0540

CUSTOMER PART NO.:

CUSTOMER	APPROVED	CHECKED
SIGNECTURE (Customer)	SIGNECTURE (Company)	

Add: 4F/C, JING HE YUAN INDUSTRIAL PARK, BAN XUE GANG ROAD,  
BANTIAN VILLAGE, SHENZHEN CITY, GUANGDONG CHINA  
深圳市龙岗区布吉坂田坂雪岗大道景和源科技园 C 栋 4 楼

Tel:+86-755-8950 9282, 8950 9880, 2109 3136;

Fax:+86-755-6135 1661

Email: [tatspeaker@tatelec.com](mailto:tatspeaker@tatelec.com); [sales@tatelec.com](mailto:sales@tatelec.com);

[Http:// www.tatelec.com](http://www.tatelec.com)



<b>Specification for Piezoelectric Ceramic Buzzer</b>		Update/09B10	Page 2 of 4
		Des.	Chk.
<b>Model No.:</b>	BP1733W40-0540	Li YanFei	Jiang Yin
		7/25/2019	7/25/2019

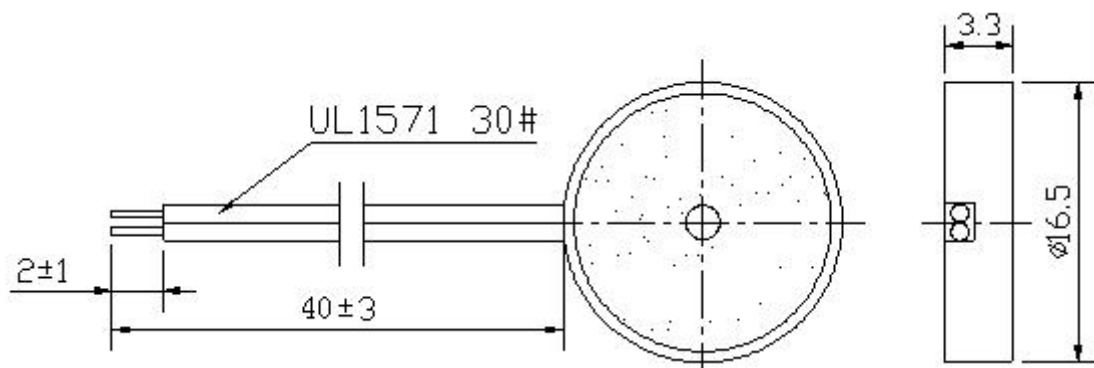
## 1. SPECIFICATION

### Piezoelectric Ceramic Element

1	Dimension	$\Phi 16.6 \times H3.3$
2	Net Weight	Approx 1g
3	Resonant Frequency	$4000 \pm 500$ Hz
4	Operating Voltage	1~30Vp-p
5	Rated Current	Max.2mA ,at 4.0KHz 50% duty Square Wave 5Vp-p
6	Sound Output	Min. 85dB,at 4.0KHz 50% duty Square Wave 5Vp-p
7	Capacitance	15000pF $\pm 30\%$ ,at 120Hz
8	Operating Temperature	-20°C ~ +70°C
9	Store Temperature	-30°C ~ +80°C
10	RoHS	Yes
11	Lead Wire	L1=40mm

### Dimensions

Unit: mm



\*Unit: mm; Tolerance:  $\pm 0.5$ mm Except Specified

\*Housing Material: Black PBT



<b>Specification for Piezoelectric Ceramic Buzzer</b>		Update/09B10	Page 3 of 4
		Des.	Chk.
<b>Model No.:</b>	BP1733W40-0540	Li YanFei	Jiang Yin
		7/25/2019	7/25/2019

## 2. Reliability Test

After any following tests the part shall meet specifications without any degradation in appearance and performance except SPL. SPL shall not deviate more than -10 dB from the initial value

### 2.1 Ordinary Temperature Life Test

The part shall be subjected to 96 hours at  $25 \pm 10^\circ\text{C}$ . Input rated voltage Resonant frequency, 1/2 duty Square wave.

### 2.2 High Temperature Test

The part shall be capable of with standing a storage temperature of  $+85^\circ\text{C}$  for 96 hours.

### 2.3 Low Temperature Test

The part shall be capable of with standing a storage temperature of  $-40^\circ\text{C}$  for 96 hours.

### 2.4 Humidity Test

Temperature: $+40^\circ\text{C} \pm 3^\circ\text{C}$  Relative Humidity:90%~95% Duration: 48 hours and expose to room temperature for 6 hours

### 2.5 Temperature Shock Test

Temperature: $70^\circ\text{C}$  /1hour→  $25^\circ\text{C}$ /3hours→ $-30^\circ\text{C}$ /1hour→  $25^\circ\text{C}$ /3hours (1cycle)  
Total cycle: 10 cycles

### 2.6 Drop Test

Standard Packaging From 1.2m(Drop on hard wood or board of 5cm thick, three sides, six plain.)

### 2.7 Vibration Test

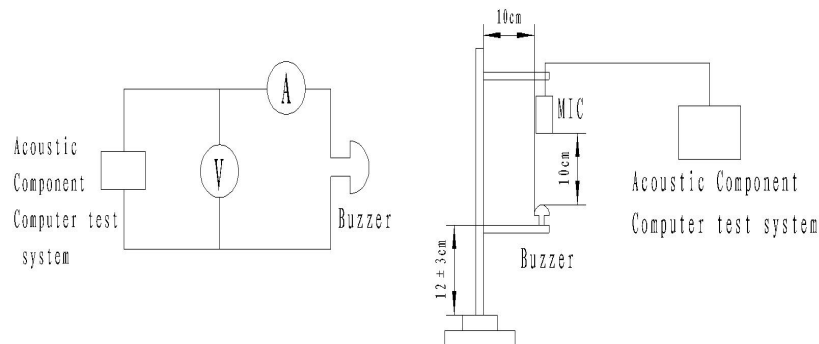
Vibration:1000cycles /min. Amplitude:1.5mm, Duration: 1 hour in each 3 axes

#### Note:

As this product is not protected from foreign material entering, please make sure that any foreign materials (e.g. magnetic powder, washing solvent, flux, corrosive gas) do not enter this product in your production processes. The functional degradation (e.g. SPL down) may occur if foreign material enter it.

## 3. Electrical And Acoustical Measuring Condition

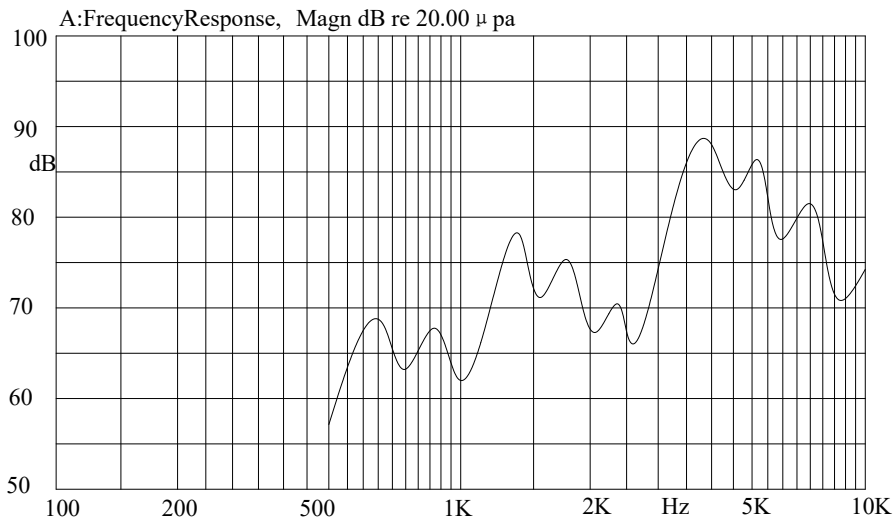
### 3.1 Recommended Setting





<b>Specification for Piezoelectric Ceramic Buzzer</b>		Update/09B10	Page 4 of 4
		Des.	Chk.
<b>Model No.:</b>	BP1733W40-0540	Li YanFei	Jiang Yin
		7/25/2019	7/25/2019

#### 4. Frequency Response



9Vp-p 50% duty Square wave,10cm