



APPROVAL SHEET
FOR
MAGNETIC BUZZER

深圳市銳創達電子有限公司

TAT ELECTRONICS CO. LTD.

CUSTOMER:

PART NUMBER: BM4020S-0340-17

CUSTOMER PART NO.:

CUSTOMER	APPROVED	CHECKED
SIGNECTURE (Customer)	SIGNECTURE (Company)	

Add: Rm 1610, Pengji Wisdom Center, Bagua 1st Rd, Futian Dist,
Shenzhen, Guangdong, China

深圳市福田区八卦一路鹏基商务时空 1610

Tel: +86-755-8950 9282, 8950 9880, 2109 3136;

Fax: +86-755-6135 1661

Email: tatspeaker@tatelec.com; sales@tatelec.com;

[Http:// www.tatelec.com](http://www.tatelec.com).



Specification for magnetic buzzer SMD Type		Update/209B13	Page 2 of 6
		Des.	Chk.
Model No.:	BM4020S-0340-17	Li YanFei	Jiang Yin
		1/15/2020	1/15/2020

1. SCOPE

This specification applies magnetic buzzer **BM4020S-0340-17**

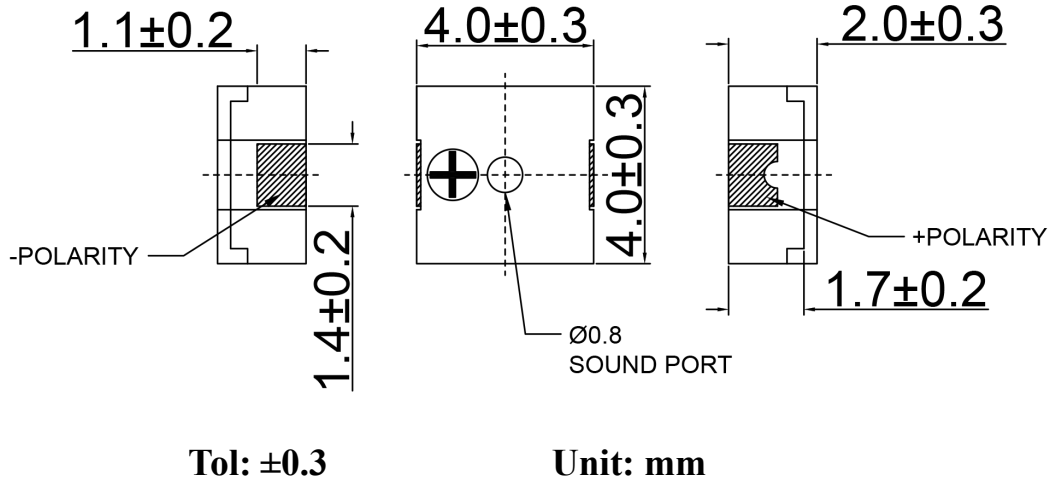
2. SPECIFICATION

No.	Item	Unit	Specification	condition
1	Oscillation Frequency	Hz	4000	Vo-p=1/2duty,square wave
2	Operating Voltage	V _{DC}	2~5	
3	Rated Voltage	V _{DC}	3	
4	Current Consumption	mA	MAX.90	at Rated Voltage
5	Sound Pressure Level	dB	MIN.70	at 10cm at Rated Voltage
6	Coil Resistance	Ω	17±3	
7	Operating Temperature	°C	-20~+70	
8	Storage Temperature	°C	-30~+80	
9	Dimension	mm	4.0×4.0×H2.0	See appearance drawing
10	Weight(MAX)	gram	0.07	
11	Housing Material		LCP(Black)	
12	Leading Pin		Tin Plated Brass(Sn)	See appearance drawing
13	Environmental Protection Regulation		RoHS	



Specification for magnetic buzzer SMD Type		Update/209B13	Page 3 of 6
		Des.	Chk.
Model No.:	BM4020S-0340-17	Li YanFei	Jiang Yin
		1/15/2020	1/15/2020

3. APPEARANCE DRAWING



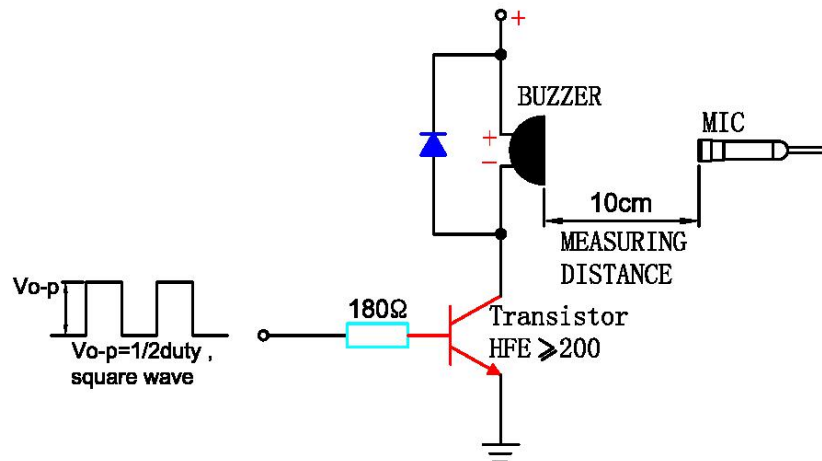
4. TESTING METHOD

Standard Measurement Conditions:

Temperature: $25 \pm 2^\circ\text{C}$ Humidity: 45-65%

Acoustic Characteristics:

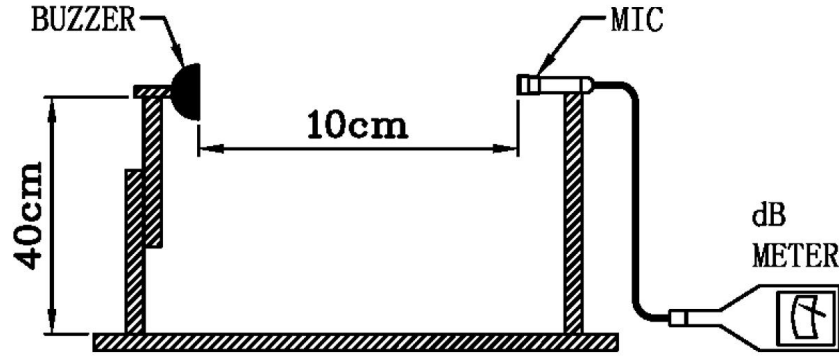
The oscillation frequency, current consumption and sound pressure are measured by the measuring instruments shown below (Recommend Driving Circuit)



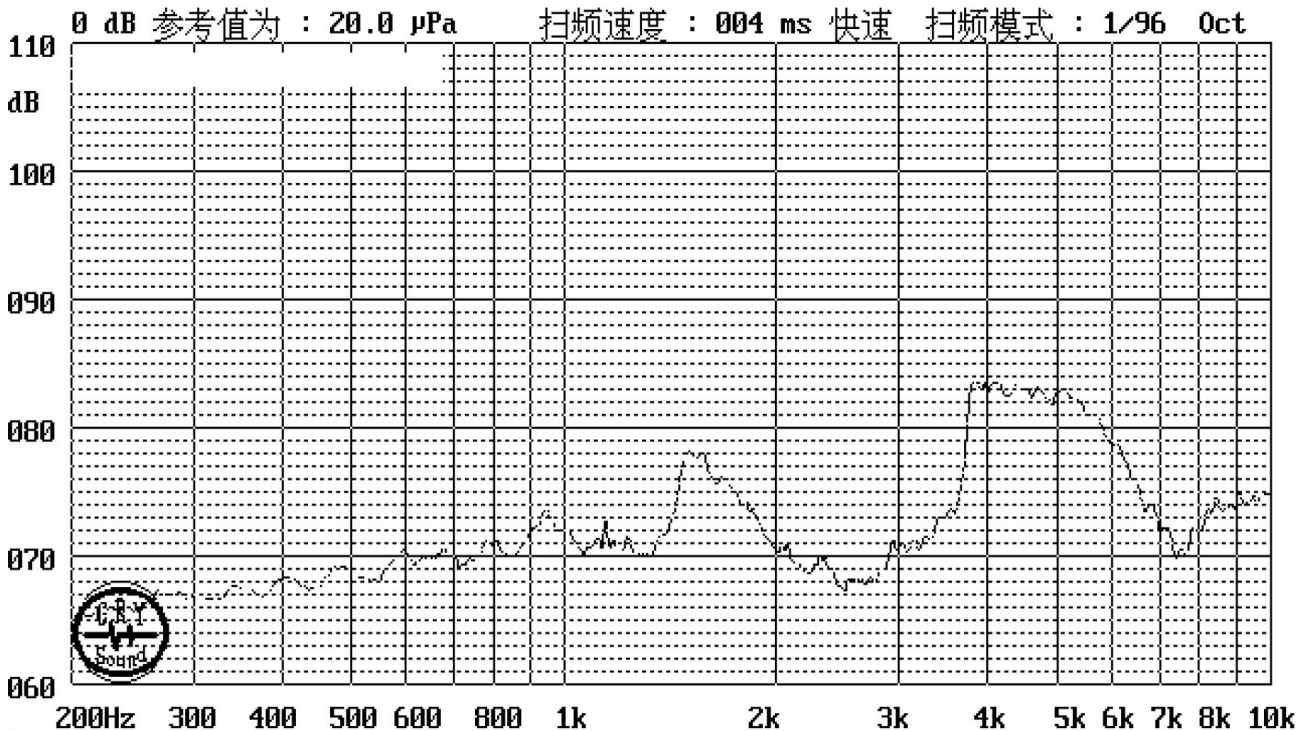


Specification for magnetic buzzer SMD Type		Update/209B13	Page 4 of 6
		Des.	Chk.
Model No.:	BM4020S-0340-17	Li YanFei	Jiang Yin
		1/15/2020	1/15/2020

In the measuring test, buzzer is placed as follows:



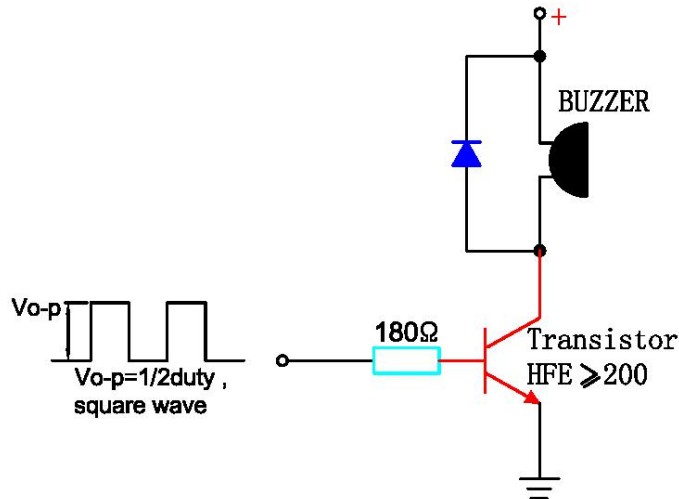
5 Typical Frequency Response Curve





Specification for magnetic buzzer SMD Type		Update/209B13	Page 5 of 6
		Des.	Chk.
Model No.:	BM4020S-0340-17	Li YanFei	Jiang Yin
		1/15/2020	1/15/2020

6. Recommend Driving Circuit

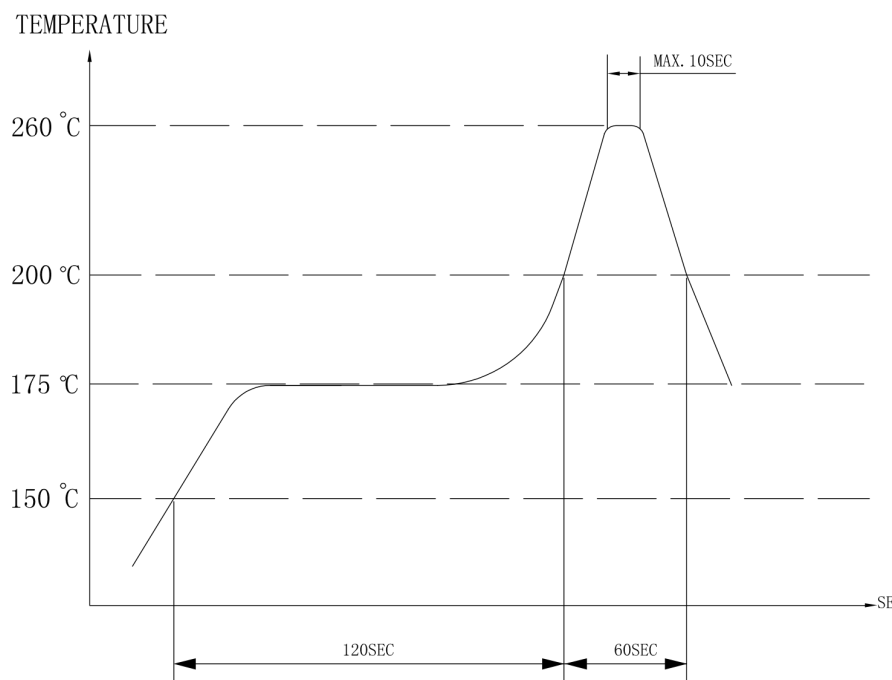


The base current I_b should be high enough so that it saturates the collector current of the transistor with the CB load.

7. Soldering Condition

(1) Recommendable reflow soldering condition is as follows (Reflow soldering is twice)

Note: It is requested that reflow soldering should be executed after the heat of the product goes down to normal.



Heat resistant line (Used when heat resistant reliability test is performed)

(2) Manual soldering

Manual soldering temperature 350 °C within 5 sec.



Specification for magnetic buzzer SMD Type		Update/209B13	Page 6 of 6
		Des.	Chk.
Model No.:	BM4020S-0340-17	Li YanFei	Jiang Yin
		1/15/2020	1/15/2020

8 RELIABILITY TEST

NO.	ITEM	TEST CONDITION AND REQUIREMENT
1	High Temperature Test (Storage)	After being placed in a chamber with $80\pm 2^{\circ}\text{C}$ for 96 hours and then being placed in normal condition for 2 hours. Allowable variation of SPL after test: $\pm 10\text{dB}$.
2	Low Temperature Test (Storage)	After being Placed in a chamber with $-30\pm 2^{\circ}\text{C}$ for 96 hours and then being placed in normal condition for 2 hours. Allowable variation of SPL after test: $\pm 10\text{dB}$.
3	Humidity Test	After being Placed in a chamber with 90-95% R.H. at $40\pm 2^{\circ}\text{C}$ for 96 hours and then being placed in normal condition for 2 hours. Allowable variation of SPL after test: $\pm 10\text{dB}$.
4	Temperature Cycle Test	<p>The part shall be subjected to 5 cycles. One cycle shall be consist of:</p> <p>The part shall be subjected to 5 cycles. One cycle shall be consist of:</p>
5	Drop Test	Drop on a hard wood board of 4cm thick, any directions ,6 times, at the height of 75cm . Allowable variation of SPL after test: $\pm 10\text{dB}$.
6	Vibration Test	After being applied vibration of amplitude of 1.5mm with 10 to 55 Hz band of vibration frequency to each of 3 perpendicular directions for 2 hours . Allowable variation of SPL after test: $\pm 10\text{dB}$.
7	Solderability Test	Lead terminals are immersed in rosin for 5 seconds and then immersed in solder bath of $+300\pm 5^{\circ}\text{C}$ for 3 ± 1 seconds . 90% min. lead terminals shall be wet with solder (Except the edge of terminals).
8	Terminal Strength Pulling Test	The force of 9.8N(1.0kg) is applied to each terminal in axial direction for 10 seconds. No visible damage and cutting off.

TEST CONDITION.

Standard Test Condition : a) Temperature : $+5 \sim +35^{\circ}\text{C}$ b) Humidity : 45-85% c) Pressure : 860-1060mbar

一般测试条件 : a) 温度 : $+5 \sim +35^{\circ}\text{C}$ b) 湿度 : 45-85% c) 气压 : 860-1060mbar

Judgment Test Condition : a) Temperature : $+25\pm 2^{\circ}\text{C}$ b) Humidity : 60-70% c) Pressure : 860-1060mbar

争议时测试条件 : a) 温度 : $+25 \pm 2^{\circ}\text{C}$ b) 湿度 : 60-70% c) 气压 : 860-1060mbar