



APPROVAL SHEET  
FOR  
MAGNETIC BUZZER

深圳市銳創達電子有限公司

TAT ELECTRONICS CO. LTD.

CUSTOMER:

PART NUMBER: BP2270C-0540

CUSTOMER PART NO.:

| CUSTOMER                 | APPROVED                | CHECKED |
|--------------------------|-------------------------|---------|
|                          |                         |         |
| SIGNECTURE<br>(Customer) | SIGNECTURE<br>(Company) |         |

Add: Rm 1610, Pengji Wisdom Center, Bagua 1st Rd, Futian Dist,  
Shenzhen, Guangdong, China

深圳市福田区八卦一路鹏基商务时空 1610

Tel: +86-755-8950 9282, 82370515;

Fax: +86-755-89509880

Email: [tatspeaker@tatelec.com](mailto:tatspeaker@tatelec.com);

[Http:// www.tatelec.com](http://www.tatelec.com)



|  |              |              |             |
|--|--------------|--------------|-------------|
| <b>Specification for Piezoelectric Ceramic Buzzer<br/>(Pin Type)</b> |              | Update/09B05 | Page 2 of 4 |
|  |              | Des.         | Chk.        |
| <b>Model No.:</b>  | BP2270C-0540 | Li YanFei    | Jiang Yin   |
|  |              | 10/4/2019    | 10/4/2019   |

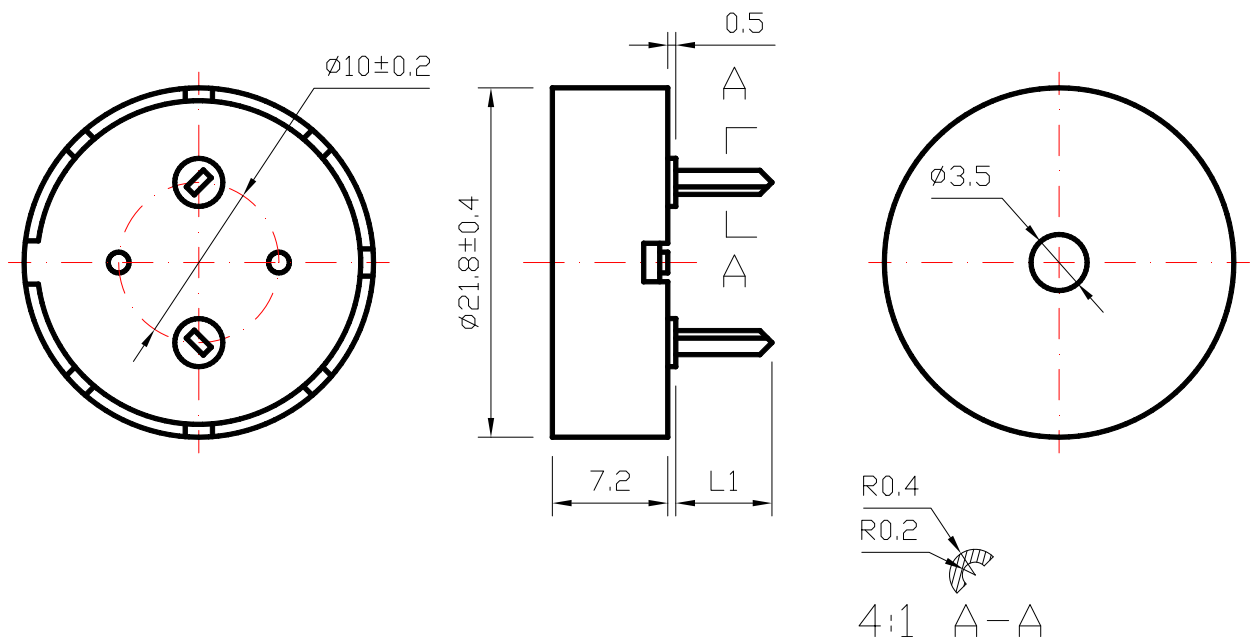
## 1. SPECIFICATION

### Piezoelectric Ceramic Element

|    |                       |  |
|----|-----------------------|--|
| 1  | Dimension             | Φ21.8×H7.2                                     |
| 2  | Net Weight            | Approx2.0 g                                    |
| 3  | Resonant Frequency    | 4000±500Hz                                     |
| 4  | Operating Voltage     | 1~30Vp-p                                       |
| 5  | Rated Current         | Max. 3mA ,at 4.0KHz 50% duty Square Wave 5Vp-p |
| 6  | Sound Output          | Min. 85dB,at 4.0KHz 50% duty Square Wave 5Vp-p |
| 7  | Capacitance           | 15000pF ± 30%,at 120Hz                         |
| 8  | Operating Temperature | -20℃~+120℃                                     |
| 9  | Store Temperature     | -30℃~+120℃                                     |
| 10 | Pin                   | L1=4.0±0.5 mm                                  |

### Dimensions

Unit: mm



\*Unit: mm; Tolerance:  $\pm 0.5$ mm Except Specified

\*Housing Material: Black PPO



|  |              |              |             |
|--|--------------|--------------|-------------|
| <b>Specification for Piezoelectric Ceramic Buzzer<br/>(Pin Type)</b> |              | Update/09B05 | Page 3 of 4 |
|  |              | Des.         | Chk.        |
| <b>Model No.:</b>  | BP2270C-0540 | Li YanFei    | Jiang Yin   |
|  |              | 10/4/2019    | 10/4/2019   |

## 2. Reliability Test

After any following tests the part shall meet specifications without any degradation in appearance and performance except SPL. SPL shall not deviate more than -10 dB from the initial value

### 2.1 Ordinary Temperature Life Test

The part shall be subjected to 96 hours at  $25 \pm 10^\circ\text{C}$ . Input rated voltage  
Resonant frequency, 1/2 duty Square wave.

### 2.2 High Temperature Test

The part shall be capable of with standing a storage temperature of  $+120^\circ\text{C}$  for 96 hours.

### 2.3 Low Temperature Test

The part shall be capable of with standing a storage temperature of  $-40^\circ\text{C}$  for 96 hours.

### 2.4 Humidity Test

Temperature: $+40^\circ\text{C} \pm 3^\circ\text{C}$  Relative Humidity:90%~95% Duration: 48 hours  
and expose to room temperature for 6 hours

### 2.5 Temperature Shock Test

Temperature: $70^\circ\text{C}$  /1hour→  $25^\circ\text{C}$ /3hours→ $-30^\circ\text{C}$ /1hour→  $25^\circ\text{C}$ /3hours (1cycle)  
Total cycle: 10 cycles

### 2.6 Drop Test

Standard Packaging From 1.2m(Drop on hard wood or board of 5cm thick,  
three sides, six plain.)

### 2.7 Vibration Test

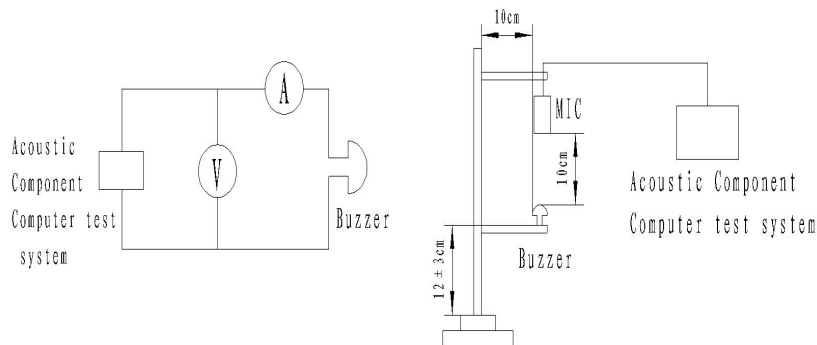
Vibration:1000cycles /min. Amplitude:1.5mm, Duration: 1 hour in each 3 axes

#### Note:

As this product is not protected from foreign material entering, please make sure that any foreign materials (e.g. magnetic powder, washing solvent, flux, corrosive gas) do not enter this product in your production processes. The functional degradation (e.g. SPL down) may occur if foreign material enter it.

## 3. Electrical And Acoustical Measuring Condition

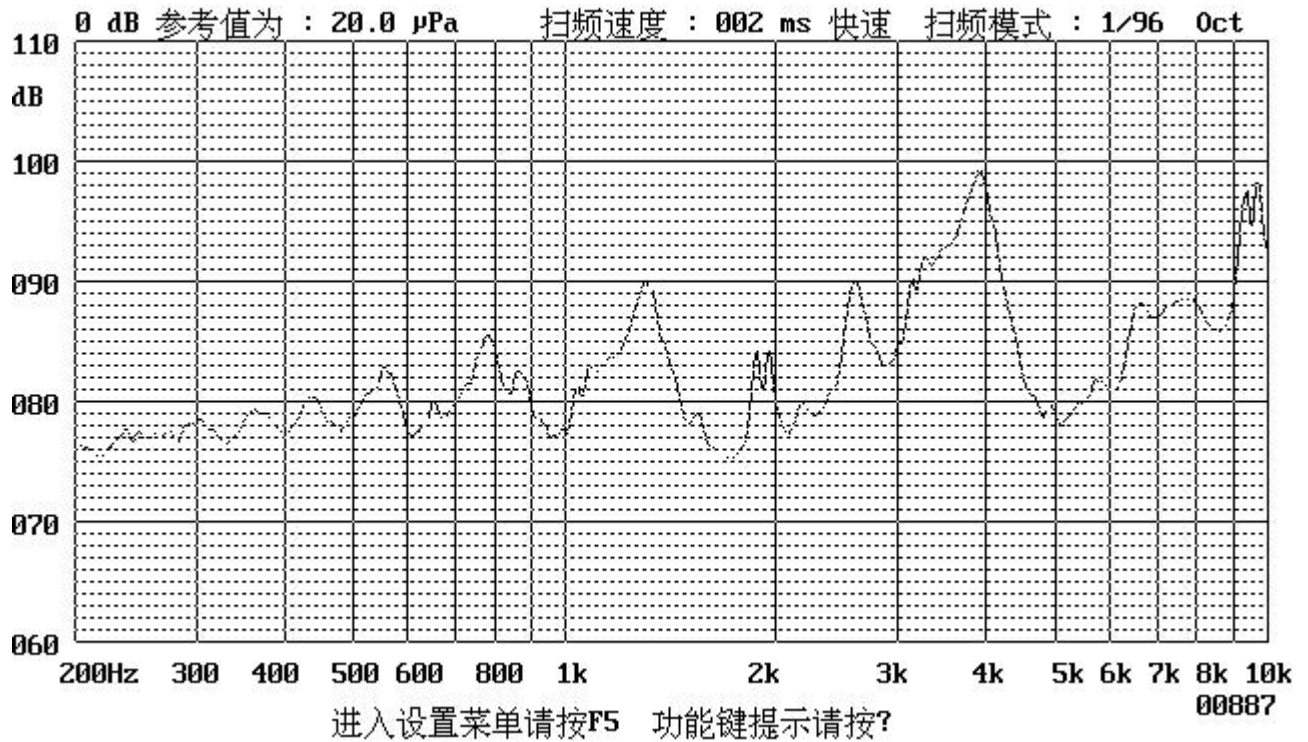
### 3.1 Recommended Setting





|  |              |              |             |
|--|--------------|--------------|-------------|
| Specification for Piezoelectric Ceramic Buzzer<br>(Pin Type) |              | Update/09B05 | Page 4 of 4 |
|  |              | Des.         | Chk.        |
| Model No.:   | BP2270C-0540 | Li YanFei    | Jiang Yin   |
|  |              | 10/4/2019    | 10/4/2019   |

#### 4. Frequency Response



5Vp-p 50% duty Square wave, 10cm