



APPROVAL SHEET  
FOR  
MAGNETIC BUZZER

深圳市銳創達電子有限公司

TAT ELECTRONICS CO. LTD.

CUSTOMER:

PART NUMBER: BM9032ES-0527-32

CUSTOMER PART NO.:

CUSTOMER	APPROVED	CHECKED
SIGNECTURE (Customer)	SIGNECTURE (Company)	

Add: Rm 1610, Pengji Wisdom Center, Bagua 1st Rd, Futian Dist,  
Shenzhen, Guangdong, China

深圳市福田区八卦一路鹏基商务时空 1610

Tel: +86-755-8950 9282, 82370515;

Fax: +86-755-89509880

Email: [tatspeaker@tatelec.com](mailto:tatspeaker@tatelec.com);

[Http:// www.tatelec.com](http://www.tatelec.com)



<b>Specification for Electro-Magnetic Buzzer With built-in oscillating circuit (Pin Type)</b>		Update/09B25	Page 2 of 6
		Des.	Chk.
<b>Model No.:</b>	BM9032ES-0527-32	Li YanFei	Jiang Yin
		12/29/2020	12/29/2020

**1. Technical Parameter Measuring condition**

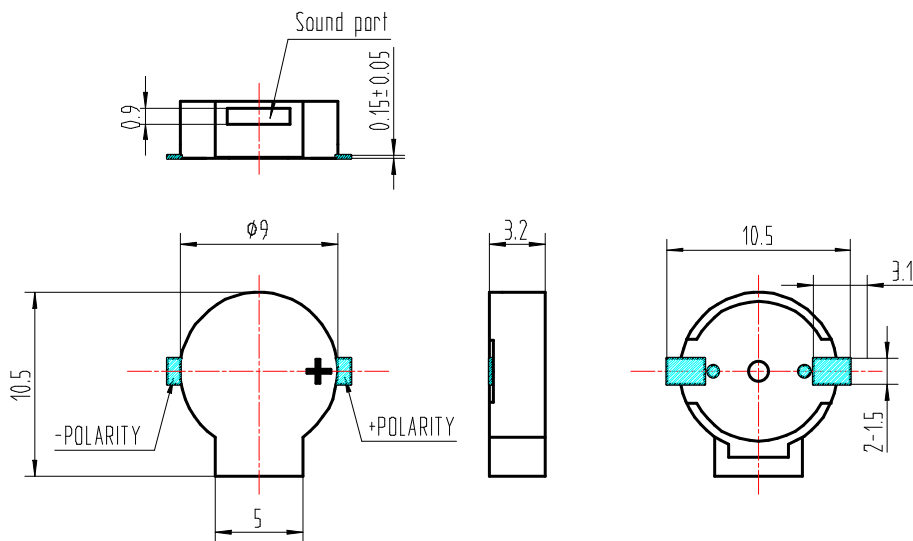
Part shall be measured under a condition (Temperature: 5 ~ 35°C, Humidity: 45% ~ 85%R.H., Atmospheric pressure: 860 ~ 1060hPa) unless the standard condition (Temperature: 25±3°C, Humidity: 60±10%R.H. Atmospheric pressure: 860 ~ 1060hPa) is regulated to measure.



1	Rated Voltage	5.0 Vo-p
2	Operating Voltage	4~7Vo-p
3	Rated Current	Max.90mA ,at 2731Hz 50% duty Square Wave 5Vo-p
4	Sound Output at 10cm	Min. 90dB,at 2731Hz 50% duty Square Wave 5Vo-p
5	Coil Resistance	32 ± 3Ω
6	Resonant Frequency	2731Hz
7	Operating Temperature	-20°C ~ +70°C
8	Store Temperature	-30°C ~ +80°C
9	Net Weight	Approx 0.5g
10	RoHS	Yes

**2. Dimensions**

Unit: mm



\*Unit: mm; Tolerance: ±0.3mm Except Specified

\*Housing Material: Black LCP

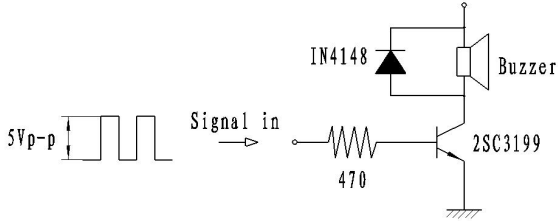
\*Terminal plate: 2 soldering pads, tin Plating Brass



Specification for Electro-Magnetic Buzzer With built-in oscillating circuit (Pin Type)		Update/09B25	Page 3 of 6
		Des.	Chk.
Model No.:	BM9032ES-0527-32	Li YanFei	Jiang Yin
		12/29/2020	12/29/2020

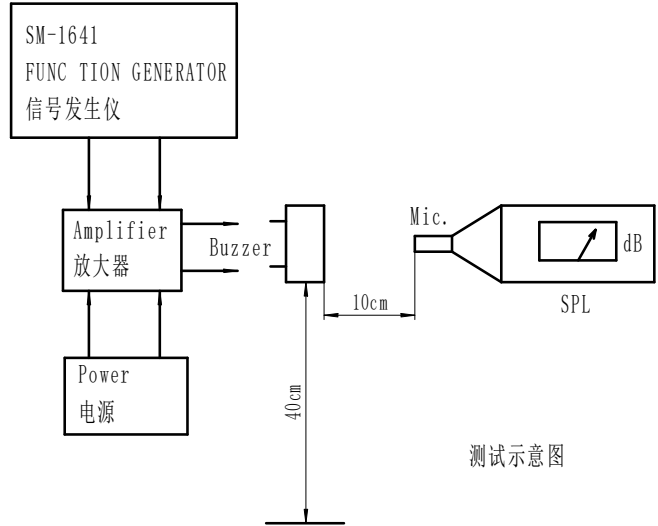
### 3. Electrical And Acoustical Measuring Condition

#### Recommended Driving Circuit



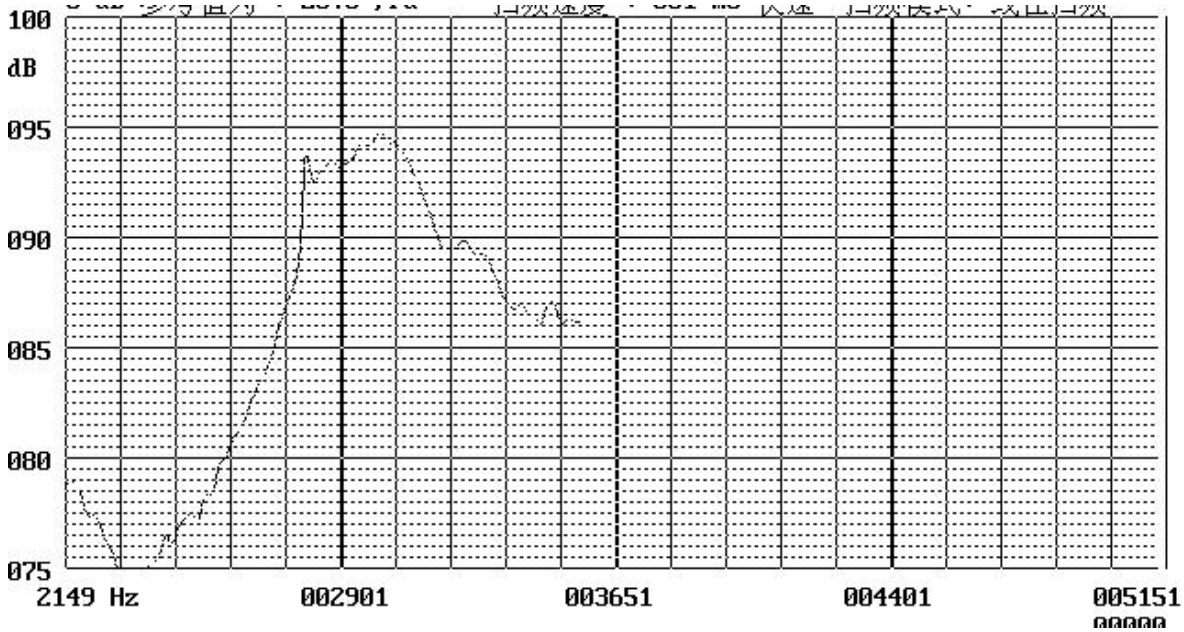
Resonant frequency, 1/2 duty cycle. Square wave.  
Signal amplitude should be large enough to saturate the transistor.

#### Recommended Setting



测试示意图

### 4. Frequency Response



3.0Vo-p 50% duty Square wave, 10cm

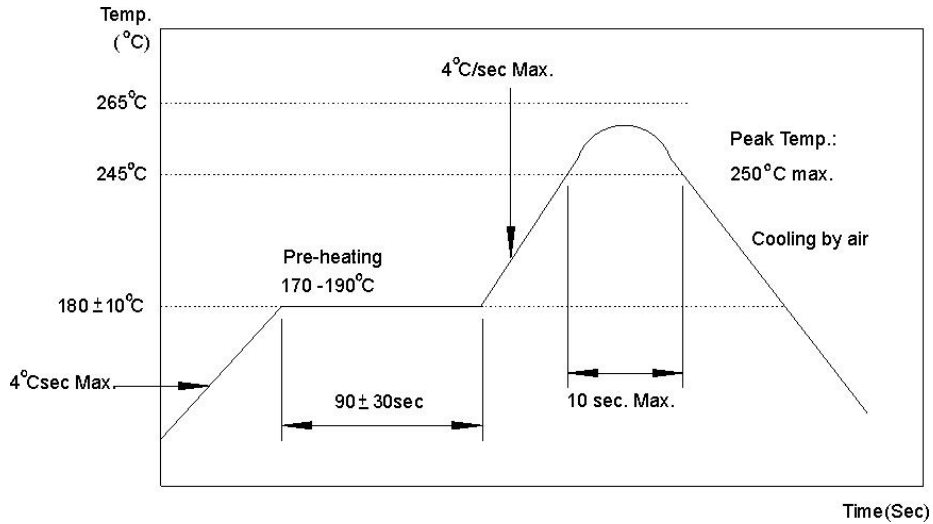


Specification for Electro-Magnetic Buzzer With built-in oscillating circuit (Pin Type)		Update/09B25	Page 4 of 6
		Des.	Chk.
Model No.:	BM9032ES-0527-32	Li YanFei	Jiang Yin
		12/29/2020	12/29/2020

## 5. Surface mounting condition

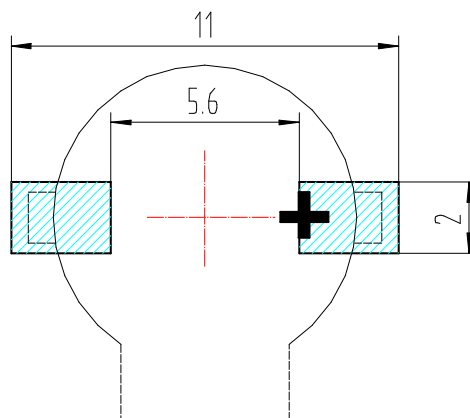
### 5.1 Reflow soldering

Recommendable reflow soldering condition is as follows.



- Note:** (1) In automated mounting of the SMD sound transducers on PCB, any bending, expanding and pulling forces or shocks against the SMD sound transducers shall be kept minimum to prevent them from electrical failures and mechanical damages of the devices.
- (2) In the reflow soldering, too high soldering temperatures and too large temperature Gradient such as rapid heating or cooling may cause electrical failures and mechanical damages of the devices.

### 5.2 Soldering pattern





<b>Specification for Electro-Magnetic Buzzer With built-in oscillating circuit (Pin Type)</b>		Update/09B25	Page 5 of 6
		Des.	Chk.
<b>Model No.:</b>	BM9032ES-0527-32	Li YanFei	Jiang Yin
		12/29/2020	12/29/2020

## 6. Reliability Test

After any following tests the part shall meet specifications without any degradation in appearance and performance except SPL. SPL shall not deviate more than -10 dB from the initial value

### 6.1 Ordinary Temperature Life Test

The part shall be subjected to 96 hours at 25±10°C. Input rated voltage  
Test Resonant frequency, 1/2 duty Square wave.

### 6.2 High Temperature

The part shall be capable of with standing a storage temperature of +85°C for 96 hours.

### 6.3 Low Temperature Test

The part shall be capable of with standing a storage temperature of -40°C for 96 hours.

### 6.4 Humidity Test

Temperature:+40°C ±3°C Relative Humidity:90%~95% Duration: 48 hours  
and expose to room temperature for 6 hours

### 6.5 Temperature Shock Test

Temperature:60°C /1hour→ 25°C/3hours→-20°C/1hour→ 25°C/3hours (1cycle)  
Total cycle: 10 cycles

### 6.6 Drop Test

Standard Packaging From 75cm(Drop on hard wood or board of 5cm thick,  
three sides, six plain.)

### 6.7 Vibration Test

Vibration:1000cycles /min. Amplitude:1.5mm, Duration: 1 hour in each 3 axes

### 6.8 Reflow Test

Use recommendable reflow soldering condition (as shown in 5.1)

- (1) No abnormality should be found after reflow
- (2) Good soldering to meet soldering requirements

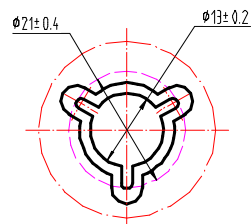
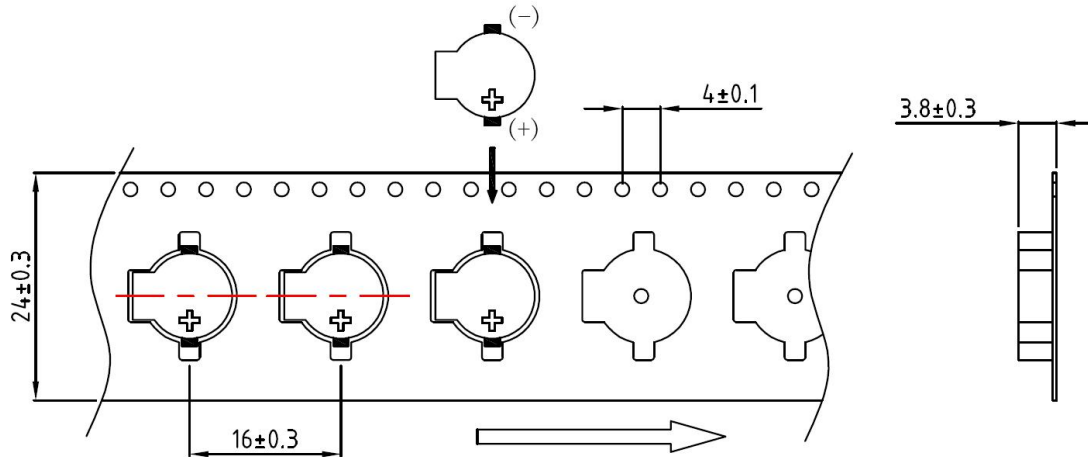
## Note:

As this product is not protected from foreign material entering, please make sure that any foreign materials (e.g. magnetic powder, washing solvent, flux, corrosive gas) do not enter this product in your production processes. The functional degradation (e.g. SPL down) may occur if foreign material enter it.

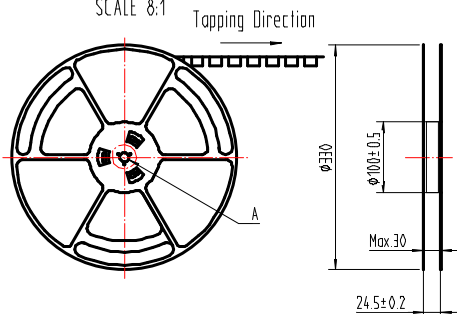


Specification for Electro-Magnetic Buzzer With built-in oscillating circuit (Pin Type)		Update/09B25	Page 6 of 6
		Des.	Chk.
Model No.:	BM9032ES-0527-32	Li YanFei	Jiang Yin
		12/29/2020	12/29/2020

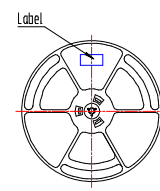
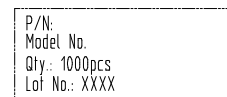
## 7. Packing



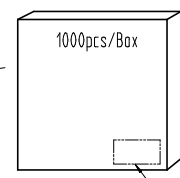
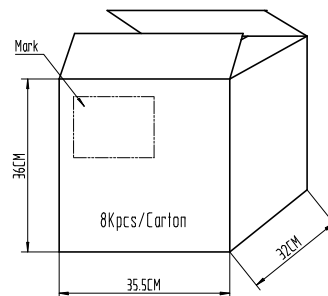
DETAIL: A  
SCALE: 8:1



Label



Inside box



1 Reel/Inside box  
(34\*34\*3.2 CM)